

/ Bearings
Summary General Catalog 2011
Resumen Catálogo General 2011





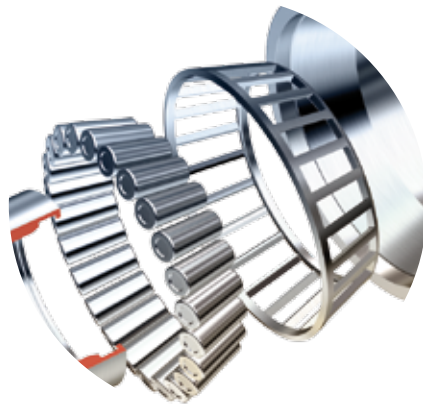
Con este nuevo catálogo, resumen de nuestro catalogo general 2011, Fersa les facilita una completa información sobre todos los rodamientos que actualmente tenemos en nuestra gama y que incluye nuevas familias de rodamientos como los kits de rueda y los rodamientos para vehículo industrial.

Gracias al esfuerzo de nuestro departamento de I+D+i y a la estrecha colaboración con nuestros clientes hemos conseguido incrementar el número de referencias para dar el mejor servicio posible a nuestros distribuidores en los cinco continentes.

La parte final contiene una lista de referencias cruzadas con los principales fabricantes de rodamientos para facilitar su uso.

Esperamos que esta información sea de su interés.

Fersa Bearings,



Fersa's new catalog, summary of our general 2011 catalog, has the complete information of all the bearings products currently featured in our product line, including new bearings series such as wheel kits and bearings for heavy vehicles.

Thanks to the effort of our R&D department and to the collaboration of our costumers all over the world, we have been able to increase our number of references providing better service to our customers and distributors in the five continents.

For easier use, the last section of the catalog contains crossed references with the main bearings manufacturers.

We hope that this information will be of service and interest to all our customers.

Fersa Bearings,



Index / Índice

01/	Single row tapered roller bearings / Rodamientos de rodillos cónicos	6
02/	Double row tapered roller bearings / Rodamientos cónicos de doble hilera	48
03/	Thrust tapered roller bearings / Rodamientos axiales cónicos	52
04/	Deep groove ball bearings / Rodamientos radiales de bolas	56
05/	Angular contact ball bearings / Rodamientos de bolas de contacto angular	66
06/	Cylindrical roller bearings / Rodamientos cilíndricos	86
07/	Thrust ball bearings / Rodamientos axiales de bolas	92
08/	Commercial vehicle bearings / Rodamientos para vehículo industrial	96
09/	Passenger car wheel bearing kits / Kits de rueda para turismos	104
10/	Cross references lists / Listas de referencias cruzadas	118

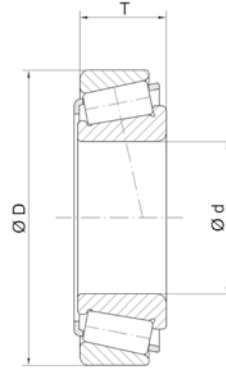
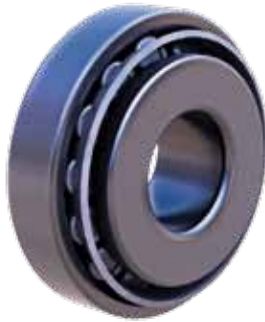
01 / Single row tapered roller bearings Rodamientos de rodillos cónicos



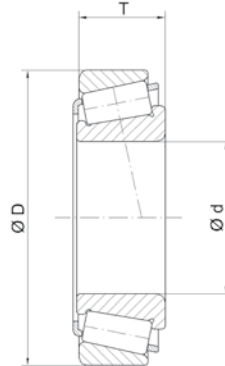
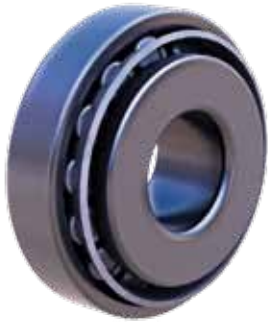
Single row tapered roller bearings

Rodamientos de rodillos cónicos

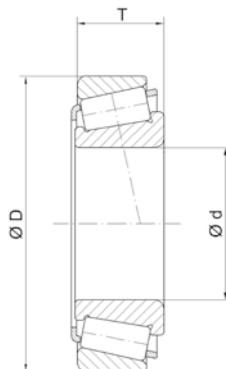
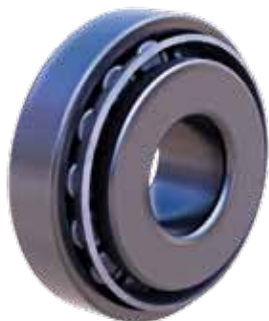
1.1/ Metric series Series métricas	8
1.2/ Inch series Series pulgadas	16
1.3/ Special design bearings Serie especial	36
1.4/ Flange side bearings Rodamientos con valona	40
1.5/ U type bearings Rodamientos tipo U	42
1.6/ Steering bearings Rodamientos de dirección	44
1.7/ Inner rings Conjuntos interiores	46



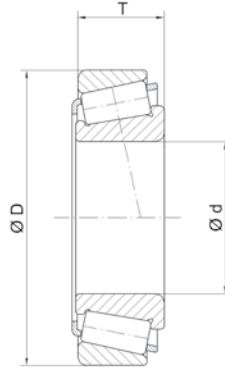
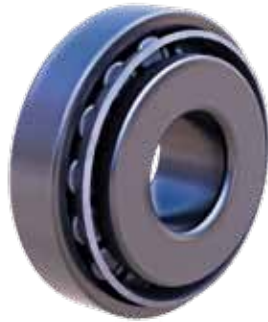
REFERENCIAS	d		D		T	
REFERENCIAS	mm	inch	mm	inch	mm	inch
SERIE 302						
30202 F	15,000	0,591	35,000	1,378	11,750	0,463
30203 F	17,000	0,669	40,000	1,575	13,250	0,522
30204 F	20,000	0,787	47,000	1,850	15,250	0,600
30205 F	25,000	0,984	52,000	2,047	16,250	0,640
30205 FR	25,000	0,984	52,000	2,047	16,250	0,640
30206 F	30,000	1,181	62,000	2,441	17,250	0,679
30207 F	35,000	1,378	72,000	2,835	18,250	0,719
30207/80 F	35,000	1,378	80,000	3,150	18,250	0,719
30207/37 F	37,000	1,457	72,000	2,835	18,250	0,719
30208 F	40,000	1,575	80,000	3,150	19,750	0,778
30209 F	45,000	1,772	85,000	3,346	20,750	0,817
30210 F	50,000	1,969	90,000	3,543	21,750	0,856
30211 F	55,000	2,165	100,000	3,937	22,750	0,896
30212 F	60,000	2,362	110,000	4,331	23,750	0,935
30213 F	65,000	2,559	120,000	4,724	24,750	0,974
30214 F	70,000	2,756	125,000	4,921	26,250	1,033
30215 F	75,000	2,953	130,000	5,118	27,250	1,073
30216 F	80,000	3,150	140,000	5,512	28,250	1,112
30217 F	85,000	3,346	150,000	5,906	30,500	1,201
30218 F	90,000	3,543	160,000	6,299	32,500	1,280
30219 F	95,000	3,740	170,000	6,693	34,500	1,358
30220 F	100,000	3,937	180,000	7,087	37,000	1,457
30221 F	105,000	4,134	190,000	7,480	39,000	1,535
30222 F	110,000	4,331	200,000	7,874	41,000	1,614
SERIE 303						
30302 F	15,000	0,591	42,000	1,654	14,250	0,561
30303 F	17,000	0,669	47,000	1,850	15,250	0,600
30304 F	20,000	0,787	52,000	2,047	16,250	0,640
30305 F	25,000	0,984	62,000	2,441	18,250	0,719



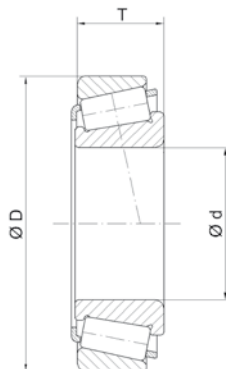
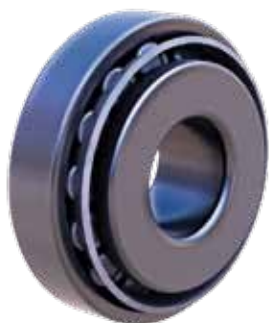
REFERENCES	d		D		T	
REFERENCIAS	mm	inch	mm	inch	mm	inch
SERIE 303						
303/28 F	28,000	1,102	68,000	2,677	19,750	0,778
30306 F	30,000	1,181	72,000	2,835	20,750	0,817
30307 F	35,000	1,378	80,000	3,150	22,750	0,896
30308 F	40,000	1,575	90,000	3,543	25,250	0,994
30309 F	45,000	1,772	100,000	3,937	27,250	1,073
30310 F	50,000	1,969	110,000	4,331	29,250	1,152
30311 F	55,000	2,165	120,000	4,724	31,500	1,240
30312 F	60,000	2,362	130,000	5,118	33,500	1,319
30313 F	65,000	2,559	140,000	5,512	36,000	1,417
30314 F	70,000	2,756	150,000	5,906	38,000	1,496
30315 F	75,000	2,953	160,000	6,299	40,000	1,575
30316 F	80,000	3,150	170,000	6,693	42,500	1,673
SERIE 313						
31303 F	17,000	0,669	47,000	1,850	15,250	0,600
31305 F	25,000	0,984	62,000	2,441	18,250	0,719
31306 F	30,000	1,181	72,000	2,835	20,750	0,817
31307 F	35,000	1,378	80,000	3,150	22,750	0,896
31308 F	40,000	1,575	90,000	3,543	25,250	0,994
31309 F	45,000	1,772	100,000	3,937	27,250	1,073
31310 F	50,000	1,969	110,000	4,331	29,250	1,152
31311 F	55,000	2,165	120,000	4,724	31,500	1,240
31312 F	60,000	2,362	130,000	5,118	33,500	1,319
31313 F	65,000	2,559	140,000	5,512	36,000	1,417
31314 F	70,000	2,756	150,000	5,906	38,000	1,496
31315 F	75,000	2,953	160,000	6,299	40,000	1,575
31318 F	90,000	3,543	190,000	7,480	46,500	1,831
SERIE 320						
320/22 XF	22,000	0,866	44,000	1,732	15,000	0,591
320/28 XF	28,000	1,102	52,000	2,047	16,000	0,630



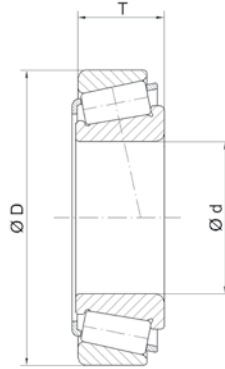
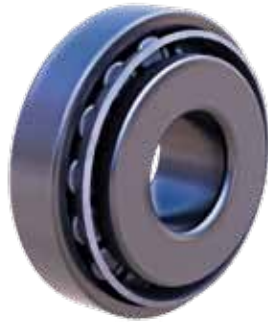
REFERENCIAS	d		D		T	
REFERENCIAS	mm	inch	mm	inch	mm	inch
SERIE 320						
320/32 XF	32,000	1,260	58,000	2,283	17,000	0,669
320/32 XR	32,000	1,260	58,000	2,283	17,000	0,669
32004 XF	20,000	0,787	42,000	1,654	15,000	0,591
32004 XR	20,000	0,787	42,000	1,654	15,000	0,591
32005 XF	25,000	0,984	47,000	1,850	15,000	0,591
32005 XR	25,000	0,984	47,000	1,850	15,000	0,591
32006 XF	30,000	1,181	55,000	2,165	17,000	0,669
32007 X 30/32007 XF	30,000	1,181	62,000	2,441	18,000	0,709
32007 X 34/32007 XF	34,000	1,339	62,000	2,441	18,000	0,709
32007 XF	35,000	1,378	62,000	2,441	18,000	0,709
32007 XR	35,000	1,378	62,000	2,441	18,000	0,709
32008 XF	40,000	1,575	68,000	2,677	19,000	0,748
32009 XF	45,000	1,772	75,000	2,953	20,000	0,787
32010 XF	50,000	1,969	80,000	3,150	20,000	0,787
32010 XR	50,000	1,969	80,000	3,150	20,000	0,787
32011 XF	55,000	2,165	90,000	3,543	23,000	0,906
32011 X 57,5/32011 XF	57,500	2,264	90,000	3,543	23,000	0,906
32012 XF	60,000	2,362	95,000	3,740	23,000	0,906
32013 XF	65,000	2,559	100,000	3,937	23,000	0,906
32014 XF	70,000	2,756	110,000	4,331	25,000	0,984
32015 XF	75,000	2,953	115,000	4,528	25,000	0,984
32016 XF	80,000	3,150	125,000	4,921	29,000	1,142
32017 XF	85,000	3,346	130,000	5,118	29,000	1,142
32018 XF	90,000	3,543	140,000	5,512	32,000	1,260
32019 XF	95,000	3,740	145,000	5,709	32,000	1,260
32020 XF	100,000	3,937	150,000	5,906	32,000	1,260
32021 XF	105,000	4,134	160,000	6,299	35,000	1,378
32022 XF	110,000	4,331	170,000	6,693	38,000	1,496
32024 XF	120,000	4,724	180,000	7,087	38,000	1,496



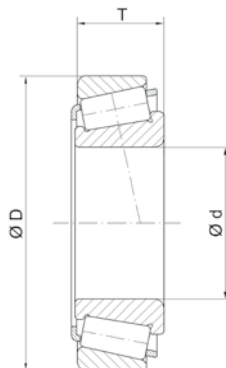
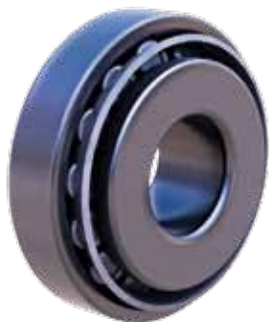
REFERENCES	d		D		T	
REFERENCIAS	mm	inch	mm	inch	mm	inch
SERIE 322						
32204 F	20,000	0,787	47,000	1,850	19,250	0,758
32204 FR	20,000	0,787	47,000	1,850	19,250	0,758
32205 BF	25,000	0,984	52,000	2,047	19,250	0,758
32205 F	25,000	0,984	52,000	2,047	19,250	0,758
32206 F	30,000	1,181	62,000	2,441	21,250	0,837
32207 F	35,000	1,378	72,000	2,835	24,250	0,955
32208 F	40,000	1,575	80,000	3,150	24,750	0,974
32209 F	45,000	1,772	85,000	3,346	24,750	0,974
32210/45	45,000	1,772	90,000	3,543	24,750	0,974
32210 F	50,000	1,969	90,000	3,543	24,750	0,974
32211 F	55,000	2,165	100,000	3,937	26,750	1,053
32212 F	60,000	2,362	110,000	4,331	29,750	1,171
32213 F	65,000	2,559	120,000	4,724	32,750	1,289
32214 F	70,000	2,756	125,000	4,921	33,250	1,309
32215 F	75,000	2,953	130,000	5,118	33,250	1,309
XUA 32215/Y32215	75,000	2,953	130,000	5,118	47,250	1,860
32216 F	80,000	3,150	140,000	5,512	35,250	1,388
32217 F	85,000	3,346	150,000	5,906	38,500	1,516
32218 F	90,000	3,543	160,000	6,299	42,500	1,673
32219 F	95,000	3,740	170,000	6,693	45,500	1,791
32220 F	100,000	3,937	180,000	7,087	49,000	1,929
32220 FR	100,000	3,937	180,000	7,087	49,000	1,929
32221 F	105,000	4,134	190,000	7,480	53,000	2,087
32222 F	110,000	4,331	200,000	7,874	56,000	2,205
SERIE 323						
32303 F	17,000	0,669	47,000	1,850	20,250	0,797
32304 F	20,000	0,787	52,000	2,047	22,250	0,876
32305 F	25,000	0,984	62,000	2,441	25,250	0,994
32306 BF	30,000	1,181	72,000	2,835	28,750	1,132



REFERENCES	d		D		T	
REFERENCIAS	mm	inch	mm	inch	mm	inch
SERIE 323						
32306 C	30,000	1,181	72,000	2,835	28,750	1,132
32306 F	30,000	1,181	72,000	2,835	28,750	1,132
32307 F	35,000	1,378	80,000	3,150	32,750	1,289
323/38 F	38,000	1,496	90,000	3,543	35,250	1,388
32308 BF	40,000	1,575	90,000	3,543	35,250	1,388
32308 C	40,000	1,575	90,000	3,543	35,250	1,388
32308 F	40,000	1,575	90,000	3,543	35,250	1,388
32309 BF	45,000	1,772	100,000	3,937	38,250	1,506
32309 F	45,000	1,772	100,000	3,937	38,250	1,506
32310 F	50,000	1,969	110,000	4,331	42,250	1,663
32310/55	55,000	2,165	110,000	4,331	42,250	1,663
32311 F	55,000	2,165	120,000	4,724	45,500	1,791
32312 BF	60,000	2,362	130,000	5,118	48,500	1,909
32312 F	60,000	2,362	130,000	5,118	48,500	1,909
32313 BF	65,000	2,559	140,000	5,512	51,000	2,008
32313 F	65,000	2,559	140,000	5,512	51,000	2,008
32314 BF	70,000	2,756	150,000	5,906	54,000	2,126
32314 F	70,000	2,756	150,000	5,906	54,000	2,126
32315 F	75,000	2,953	160,000	6,299	58,000	2,283
32316 F	80,000	3,150	170,000	6,693	61,500	2,421
32317 F	85,000	3,346	180,000	7,087	63,500	2,500
SERIE 329						
32911 F	55,000	2,165	80,000	3,150	17,000	0,669
SERIE 330						
33006 F	30,000	1,181	55,000	2,165	20,000	0,787
33007 F	35,000	1,378	62,000	2,441	21,000	0,827
33008 F	40,000	1,575	68,000	2,677	22,000	0,866
33009 F	45,000	1,772	75,000	2,953	24,000	0,945
33010 F	50,000	1,969	80,000	3,150	24,000	0,945

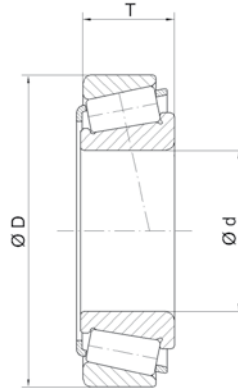


REFERENCES	d		D		T	
REFERENCIAS	mm	inch	mm	inch	mm	inch
SERIE 330						
33011 F	55,000	2,165	90,000	3,543	27,000	1,063
33012 F	60,000	2,362	95,000	3,740	27,000	1,063
33013 F	65,000	2,559	100,000	3,937	27,000	1,063
33014 F	70,000	2,756	110,000	4,331	31,000	1,220
33015 F	75,000	2,953	115,000	4,528	31,000	1,220
33016 F	80,000	3,150	125,000	4,921	36,000	1,417
33017 F	85,000	3,346	130,000	5,118	36,000	1,417
33018 F	90,000	3,543	140,000	5,512	39,000	1,535
33019 F	95,000	3,740	145,000	5,709	39,000	1,535
33020 F	100,000	3,937	150,000	5,906	39,000	1,535
33021 F	105,000	4,134	160,000	6,299	43,000	1,693
33021 F.0266488	105,000	4,134	160,000	6,299	43,000	1,693
33022 F	110,000	4,331	170,000	6,693	47,000	1,850
33024 F	120,000	4,724	180,000	7,087	48,000	1,890
SERIE 331						
33108 F	40,000	1,575	75,000	2,953	26,000	1,024
33109 F	45,000	1,772	80,000	3,150	26,000	1,024
33110 F	50,000	1,969	85,000	3,346	26,000	1,024
33111 F	55,000	2,165	95,000	3,740	30,000	1,181
33112 F	60,000	2,362	100,000	3,937	30,000	1,181
33113 F	65,000	2,559	110,000	4,331	34,000	1,339
33114 F	70,000	2,756	120,000	4,724	37,000	1,457
33115 F	75,000	2,953	125,000	4,921	37,000	1,457
33116 F	80,000	3,150	130,000	5,118	37,000	1,457
33117 F	85,000	3,346	140,000	5,512	41,000	1,614
33118 F	90,000	3,543	150,000	5,906	45,000	1,772
33119 F	95,000	3,740	160,000	6,299	49,000	1,929
33120 F	100,000	3,937	165,000	6,496	52,000	2,047
332/32 F	32,000	1,260	65,000	2,559	26,000	1,024

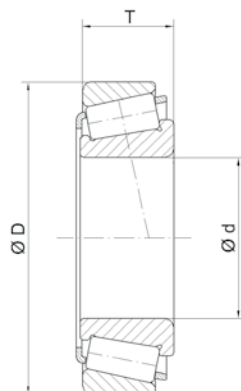
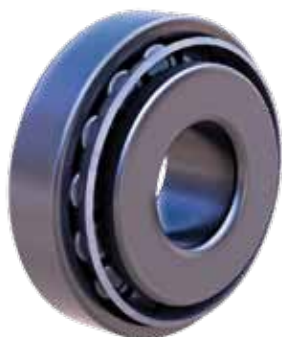


REFERENCIAS	d		D		T	
REFERENCIAS	mm	inch	mm	inch	mm	inch
SERIE 332						
33205 F	25,000	0,984	52,000	2,047	22,000	0,866
33206 F	30,000	1,181	62,000	2,441	25,000	0,984
33207 F	35,000	1,378	72,000	2,835	28,000	1,102
33208 F	40,000	1,575	80,000	3,150	32,000	1,260
33209 F	45,000	1,772	85,000	3,346	32,000	1,260
33210 F	50,000	1,969	90,000	3,543	32,000	1,260
33211 F	55,000	2,165	100,000	3,937	35,000	1,378
33212 F	60,000	2,362	110,000	4,331	38,000	1,496
33213 F	65,000	2,559	120,000	4,724	41,000	1,614
33214 F	70,000	2,756	125,000	4,921	41,000	1,614
33215 F	75,000	2,953	130,000	5,118	41,000	1,614
33216 F	80,000	3,150	140,000	5,512	46,000	1,811
33217 F	85,000	3,346	150,000	5,906	49,000	1,929
33218 F	90,000	3,543	160,000	6,299	55,000	2,165
33220 F	100,000	3,937	180,000	7,087	63,000	2,480

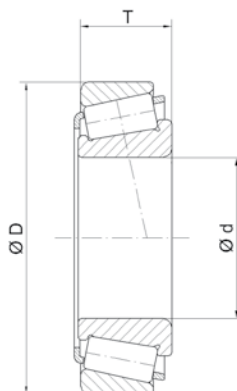
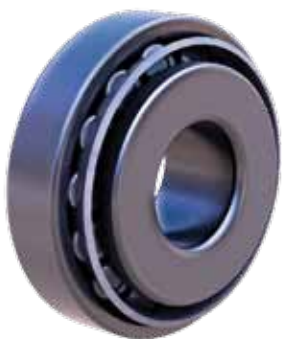
Exclusive for new A&S Fersa references / Espacio exclusivo para nuevas referencias de A&S Fersa



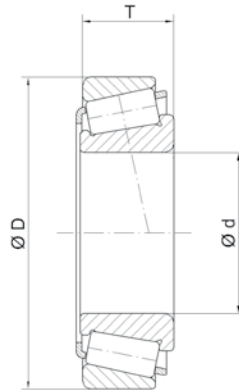
REFERENCIAS	d		D		T	
REFERENCIAS	mm	inch	mm	inch	mm	inch
4 A/6	19,050	0,750	44,450	1,750	12,700	0,500
336/332	41,275	1,625	80,000	3,150	21,000	0,827
344/332	40,000	1,575	80,000	3,150	21,000	0,827
355 X/352	44,450	1,750	90,119	3,548	23,000	0,906
355 X/354 X	44,450	1,750	85,000	3,346	20,638	0,813
355/354 X	44,450	1,750	85,000	3,346	20,638	0,813
359 A/354 X	46,038	1,813	85,000	3,346	20,638	0,813
359 S/354 X	46,038	1,813	85,000	3,346	20,638	0,813
368 A/362 A	50,800	2,000	88,900	3,500	20,638	0,813
368 A/362 X	50,800	2,000	90,000	3,543	25,000	0,984
368 S/362	51,592	2,031	90,000	3,543	20,000	0,787
368 S/362 A	51,592	2,031	88,900	3,500	20,638	0,813
368/362 A	50,800	2,000	88,900	3,500	20,638	0,813
369 A/362 A	47,625	1,875	88,900	3,500	20,638	0,813
369 A/363	47,625	1,875	90,000	3,543	20,000	0,787
369 S/362	47,625	1,875	90,000	3,543	20,000	0,787
369 S/362 A	47,625	1,875	88,900	3,500	20,638	0,813
369 S/363	47,625	1,875	90,000	3,543	20,000	0,787
385 A/382	50,800	2,000	98,425	3,875	21,000	0,827
385 A/382 A	50,800	2,000	96,838	3,813	21,000	0,827
385/382	53,975	2,125	98,425	3,875	21,000	0,827
385/382 A	53,975	2,125	96,838	3,813	21,000	0,827
386 A/382 A	47,625	1,875	96,838	3,813	21,000	0,827
387 A/382	57,150	2,250	98,425	3,875	21,000	0,827
387 A/382 A	57,150	2,250	96,838	3,813	21,000	0,827
387 A/382 S	57,150	2,250	96,838	3,813	25,400	1,000
387 A/383 A	57,150	2,250	100,000	3,937	21,000	0,827
387 AS/382 A	57,150	2,250	96,838	3,813	21,000	0,827
387 AS/382 S	57,150	2,250	96,838	3,813	25,400	1,000
387 S/382	57,150	2,250	98,425	3,875	21,000	0,827



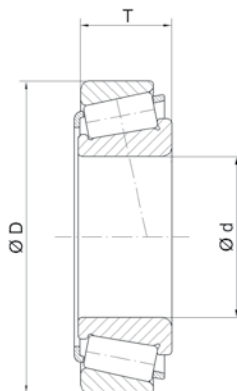
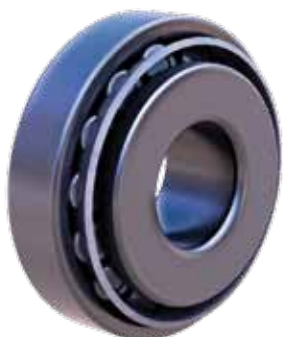
REFERENCES	d		D		T	
REFERENCIAS	mm	inch	mm	inch	mm	inch
387 S/382 S	57,150	2,250	96,838	3,813	25,400	1,000
387 S/383 A	57,150	2,250	100,000	3,937	21,000	0,827
387/382	57,150	2,250	98,425	3,875	21,000	0,827
387/382 A	57,150	2,250	96,838	3,813	21,000	0,827
387/382 S	57,150	2,250	96,838	3,813	25,400	1,000
388 A/382	57,531	2,265	98,425	3,875	21,000	0,827
389 A/382 A	53,975	2,125	96,838	3,813	21,000	0,827
389 A/383 A	53,975	2,125	100,000	3,937	21,000	0,827
389 AS/382	53,975	2,125	98,425	3,875	21,000	0,827
390/394 A	57,150	2,250	110,000	4,331	22,000	0,866
392/394 A	61,912	2,437	110,000	4,331	22,000	0,866
395 A/394 A	66,675	2,625	110,000	4,331	22,000	0,866
395 S/394 A	66,675	2,625	110,000	4,331	22,000	0,866
395/394 A	63,500	2,500	110,000	4,331	22,000	0,866
399 A/394 A	68,262	2,687	110,000	4,331	22,000	0,866
399 AS/394 A	68,262	2,687	110,000	4,331	22,000	0,866
418/414	38,100	1,500	88,500	3,484	26,988	1,063
419/414	41,275	1,625	88,500	3,484	26,988	1,063
455/453 X	50,800	2,000	104,775	4,125	30,162	1,187
462 A/453 X	57,150	2,250	104,775	4,125	30,162	1,187
462/453 X	57,150	2,250	104,775	4,125	30,162	1,187
469/453 A	57,150	2,250	107,950	4,250	27,783	1,094
469/453 X	57,150	2,250	104,775	4,125	30,162	1,187
476/472	60,000	2,362	120,000	4,724	29,795	1,173
482 E/472	69,850	2,750	120,000	4,724	46,751	1,841
482/472	69,850	2,750	120,000	4,724	29,795	1,173
482/472 A	69,850	2,750	120,000	4,724	29,002	1,142
482/472 X	69,850	2,750	123,825	4,875	30,162	1,187
484/472	70,000	2,756	120,000	4,724	29,795	1,173
484/472 A	70,000	2,756	120,000	4,724	29,002	1,142



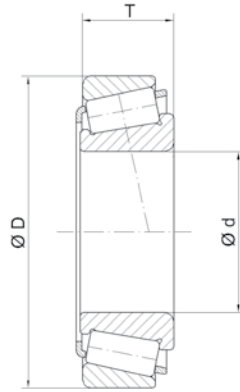
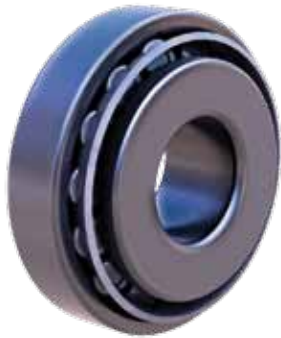
REFERENCES	d		D		T	
REFERENCIAS	mm	inch	mm	inch	mm	inch
495 A/492 A	76,200	3,000	133,350	5,250	30,162	1,187
495 A/493	76,200	3,000	136,525	5,375	30,162	1,187
495/492	82,550	3,250	133,350	5,250	33,338	1,313
495/492 A	82,550	3,250	133,350	5,250	30,162	1,187
495/493	82,550	3,250	136,525	5,375	30,162	1,187
496/493	80,962	3,187	136,525	5,375	30,162	1,187
497/492 A	85,725	3,375	133,350	5,250	30,162	1,187
497/493	85,725	3,375	136,525	5,375	30,162	1,187
498/492 A	84,138	3,313	133,350	5,250	30,162	1,187
498/493	84,138	3,313	136,525	5,375	30,162	1,187
527 S/522	44,983	1,771	101,600	4,000	34,925	1,375
527/522	44,450	1,750	101,600	4,000	34,925	1,375
528/522	47,625	1,875	101,600	4,000	34,925	1,375
529 X/522	50,800	2,000	101,600	4,000	34,925	1,375
529/520 X1	50,800	2,000	100,000	3,937	34,925	1,375
529/522	50,800	2,000	101,600	4,000	34,925	1,375
535/532 X	44,450	1,750	107,950	4,250	36,512	1,437
536/532 X	47,625	1,875	107,950	4,250	36,512	1,437
537/532	50,800	2,000	111,125	4,375	38,100	1,500
537/532 X	50,800	2,000	107,950	4,250	36,512	1,437
538/532	54,988	2,165	111,125	4,375	38,100	1,500
539/532 A	53,975	2,125	111,125	4,375	38,100	1,500
539/532 X	53,975	2,125	107,950	4,250	36,512	1,437
555 S / 552 A	57,150	2,250	123,825	4,875	38,100	1,500
559/552 A	63,500	2,500	123,825	4,875	38,100	1,500
566/563	69,850	2,750	127,000	5,000	36,512	1,437
567 X/563	73,025	2,875	127,000	5,000	36,512	1,437
567/563	73,025	2,875	127,000	5,000	36,512	1,437
568/563	73,817	2,906	127,000	5,000	36,512	1,437
575/572	76,200	3,000	139,992	5,511	36,512	1,437



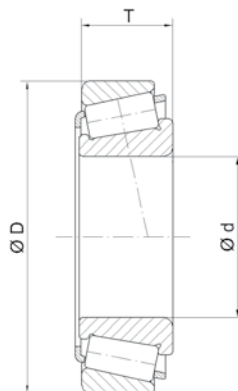
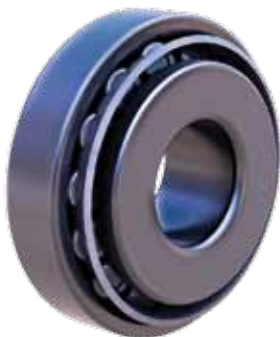
REFERENCES	d		D		T	
REFERENCIAS	mm	inch	mm	inch	mm	inch
575/572 A	76,200	3,000	139,982	5,511	35,250	1,388
575/572 X	76,200	3,000	139,700	5,500	36,512	1,437
576/572	73,025	2,875	139,992	5,511	36,512	1,437
580/572	82,550	3,250	139,992	5,511	36,512	1,437
580/572 A	82,550	3,250	139,982	5,511	35,250	1,388
580/572 X	82,550	3,250	139,700	5,500	36,512	1,437
593/592 A	88,900	3,500	152,400	6,000	39,688	1,563
594 A/592 A	95,250	3,750	152,400	6,000	39,688	1,563
594 A/593 X	95,250	3,750	150,000	5,906	35,992	1,417
594/592 A	95,250	3,750	152,400	6,000	39,688	1,563
594/593 X	95,250	3,750	150,000	5,906	35,992	1,417
598 A/592 A	92,075	3,625	152,400	6,000	39,688	1,563
598 A/593 X	92,075	3,625	150,000	5,906	35,992	1,417
598/592 A	92,075	3,625	152,400	6,000	39,688	1,563
598/593 X	92,075	3,625	150,000	5,906	35,992	1,417
641/632	66,675	2,625	136,525	5,375	41,275	1,625
643/632	69,850	2,750	136,525	5,375	41,275	1,625
645/632	71,438	2,813	136,525	5,375	41,275	1,625
659/653	76,200	3,000	146,050	5,750	41,275	1,625
663/652	82,550	3,250	152,400	6,000	41,275	1,625
663/653	82,550	3,250	146,050	5,750	41,275	1,625
681 A/672	92,075	3,625	168,275	6,625	41,275	1,625
681/672	92,075	3,625	168,275	6,625	41,275	1,625
683/672	95,250	3,750	168,275	6,625	41,275	1,625
687/672	101,600	4,000	168,275	6,625	41,275	1,625
740/742	80,962	3,187	150,089	5,909	44,450	1,750
748 S/742	76,200	3,000	150,089	5,909	44,450	1,750
749 A/742	82,550	3,250	150,089	5,909	44,450	1,750
749 S/742	85,026	3,347	150,089	5,909	44,450	1,750
749/742	85,026	3,347	150,089	5,909	44,450	1,750



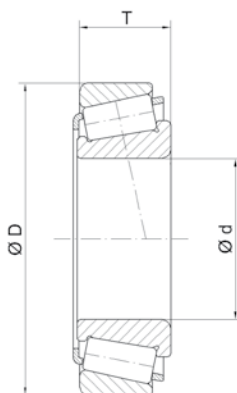
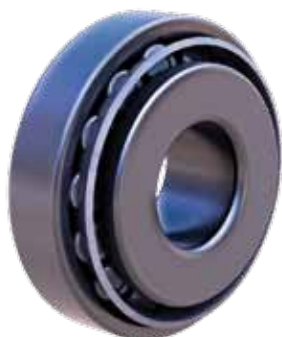
REFERENCES	d		D		T	
REFERENCIAS	mm	inch	mm	inch	mm	inch
759/752	88,900	3,500	161,925	6,375	47,625	1,875
1380/1328	21,986	0,866	52,388	2,063	19,368	0,763
1680/1620	33,338	1,313	66,675	2,625	20,638	0,813
1779/1729 X	23,812	0,937	56,896	2,240	19,368	0,763
1780/1729	25,400	1,000	56,896	2,240	19,368	0,763
1985/1922	28,575	1,125	57,150	2,250	19,845	0,781
1985/1930	28,575	1,125	56,896	2,240	19,845	0,781
1985/1931	28,575	1,125	60,325	2,375	19,845	0,781
1985/1932	28,575	1,125	58,738	2,313	19,050	0,750
1986/1931	25,400	1,000	60,325	2,375	19,845	0,781
1986/1932	25,400	1,000	58,738	2,313	19,050	0,750
1988/1922	26,988	1,063	57,150	2,250	19,845	0,781
1988/1931	26,988	1,063	60,325	2,375	19,845	0,781
2580/2520	31,750	1,250	66,421	2,615	25,400	1,000
2580/2523	31,750	1,250	69,850	2,750	23,812	0,937
2585/2523	33,338	1,313	69,850	2,750	23,812	0,937
2689/2631	26,988	1,063	66,421	2,615	23,812	0,937
2780/2720	36,487	1,436	76,200	3,000	23,812	0,937
2780/2729	36,487	1,436	76,200	3,000	23,812	0,937
2788/2720	38,100	1,500	76,200	3,000	23,812	0,937
2788/2729	38,100	1,500	76,200	3,000	23,812	0,937
2789/2720	39,688	1,563	76,200	3,000	23,812	0,937
2789/2729	39,688	1,563	76,200	3,000	23,812	0,937
2793/2720	34,925	1,375	76,200	3,000	23,813	0,938
2796/2735 X	34,925	1,375	73,025	2,875	23,812	0,937
3381/3320	38,100	1,500	80,167	3,156	29,370	1,156
3382/3320	39,688	1,563	80,167	3,156	29,370	1,156
3384/3320	41,275	1,625	80,167	3,156	29,370	1,156
3386/3320	39,688	1,563	80,167	3,156	29,370	1,156
3386/3325	39,688	1,563	79,975	3,149	29,370	1,156



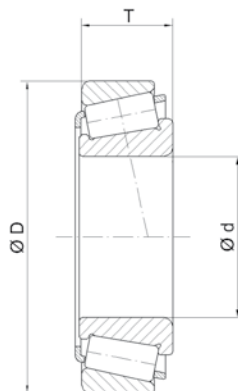
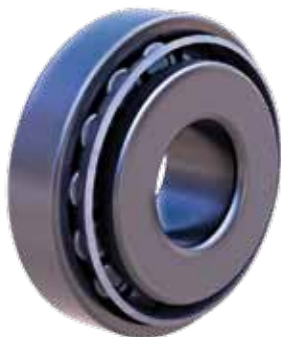
REFERENCES	d		D		T	
REFERENCIAS	mm	inch	mm	inch	mm	inch
3477/3420	33,338	1,313	79,375	3,125	29,370	1,156
3478/3420	34,925	1,375	79,375	3,125	29,370	1,156
3490/3420	38,100	1,500	79,375	3,125	29,370	1,156
3577/3520	41,275	1,625	84,138	3,313	30,162	1,187
3577/3525	41,275	1,625	87,312	3,437	30,162	1,187
3578/3520	44,450	1,750	84,138	3,313	30,162	1,187
3578/3525	44,450	1,750	87,312	3,437	30,162	1,187
3585/3525	41,275	1,625	87,312	3,437	30,162	1,187
3586/3525	45,237	1,781	79,975	3,149	30,162	1,187
3767/3720	52,388	2,063	93,264	3,672	30,162	1,187
3776/3720	44,983	1,771	93,264	3,672	30,162	1,187
3778/3720	47,625	1,875	93,264	3,672	30,162	1,187
3779/3720	47,625	1,875	93,264	3,672	30,162	1,187
3780/3720	50,800	2,000	93,264	3,672	30,162	1,187
3780/3727	50,800	2,000	93,662	3,687	30,162	1,187
3782/3720	44,450	1,750	93,264	3,672	30,162	1,187
3784/3720	50,800	2,000	93,264	3,672	30,162	1,187
3784/3727	50,800	2,000	93,662	3,687	30,162	1,187
3877/3820	41,275	1,625	85,725	3,375	30,162	1,187
3878/3820	36,512	1,437	85,725	3,375	30,162	1,187
3879/3820	40,000	1,575	73,025	2,875	30,162	1,187
3979/3920	57,150	2,250	112,712	4,437	30,162	1,187
3980/3920	60,325	2,375	112,712	4,437	30,162	1,187
3982/3920	63,500	2,500	112,712	4,437	30,162	1,187
3982/3927 X	63,500	2,500	110,000	4,331	30,162	1,187
3984/3920	66,675	2,625	112,712	4,437	30,162	1,187
3984/3925	66,675	2,625	112,712	4,437	30,162	1,187
3994/3920	66,675	2,625	112,712	4,437	30,162	1,187
3994/3927 X	66,675	2,625	110,000	4,331	30,162	1,187
JF 4049/JF 4010	40,000	1,575	85,000	3,346	33,000	1,299



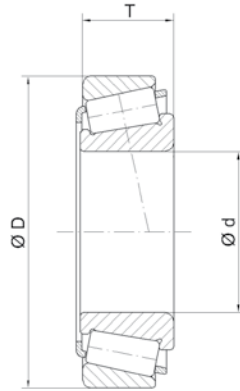
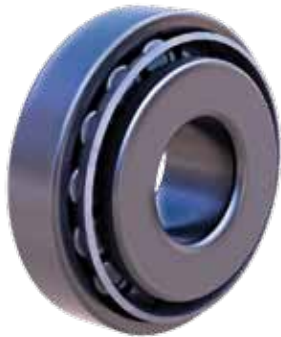
REFERENCES	d		D		T	
REFERENCIAS	mm	inch	mm	inch	mm	inch
4367 X/4335	39,688	1,563	90,488	3,563	39,688	1,563
4388/4335	41,275	1,625	90,488	3,563	39,688	1,563
4395/4335	42,070	1,656	90,488	3,563	39,688	1,563
JF 4549/JF 4510	45,000	1,772	95,000	3,740	36,000	1,417
JW 4549/JW 4510	45,000	1,772	95,000	3,740	29,000	1,142
JF 5049/JF 5010	50,000	1,969	100,000	3,937	36,000	1,417
JW 5049/JW 5010	50,000	1,969	105,000	4,134	32,000	1,260
5395/5335	49,212	1,937	103,188	4,063	43,658	1,719
JW 5549/JW5510	53,975	2,125	115,000	4,528	34,000	1,339
5566/5535	55,562	2,187	122,238	4,813	43,658	1,719
5566-62/5535	62,000	2,441	122,238	4,813	43,658	1,719
JF 6049/JF 6010	60,000	2,362	115,000	4,528	40,000	1,575
JW 6049 / JW 6010	60,000	2,362	125,000	4,921	37,000	1,457
A 6075/A 6157	19,050	0,750	39,992	1,574	12,014	0,473
JD 6549/JD 6510	65,000	2,559	110,000	4,331	31,000	1,220
6280/6220	53,975	2,125	127,000	5,000	50,800	2,000
6379/6320	65,088	2,563	135,755	5,345	53,975	2,125
6386/6320	66,675	2,625	135,755	5,345	53,975	2,125
6461/6420	76,200	3,000	149,225	5,875	53,975	2,125
6580/6535	88,900	3,500	161,925	6,375	53,975	2,125
JF 7049/JF 7010	70,000	2,756	130,000	5,118	43,000	1,693
JF 7049 A/JF 7010	70,000	2,756	130,000	5,118	43,000	1,693
JW 7049/JW 7010	70,000	2,756	140,000	5,512	39,000	1,535
JW 8049/JW 8010	80,000	3,150	160,000	6,299	45,000	1,772
9278/9220	68,262	2,687	161,925	6,375	49,212	1,937
9285/9220	76,200	3,000	161,925	6,375	49,212	1,937
JF 9549/JF 9510	95,000	3,740	160,000	6,299	46,000	1,811
02474/02420	26,988	1,063	68,262	2,687	22,225	0,875
02475/02420	31,750	1,250	68,262	2,687	22,225	0,875
02872/02820	26,988	1,063	73,025	2,875	22,225	0,875



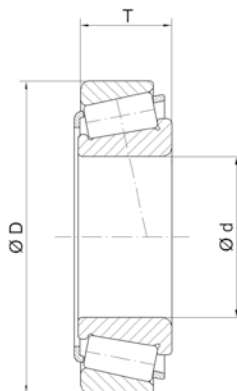
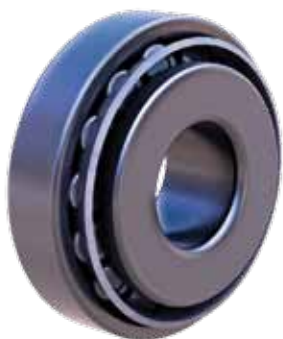
REFERENCES	d		D		T	
REFERENCIAS	mm	inch	mm	inch	mm	inch
05066/05185	16,993	0,669	47,000	1,850	14,382	0,566
07087 X/07204	21,986	0,866	51,994	2,047	15,011	0,591
07087 X/07210 X	21,986	0,866	50,800	2,000	15,011	0,591
07087/07204	21,986	0,866	51,994	2,047	15,011	0,591
07087/07210 X	21,986	0,866	50,800	2,000	15,011	0,591
07097/07204	25,000	0,984	51,994	2,047	15,011	0,591
07100 S/07196	25,400	1,000	50,005	1,969	13,495	0,531
07100 S/07210 X	25,400	1,000	50,800	2,000	15,011	0,591
07100/07204	25,400	1,000	51,994	2,047	15,011	0,591
09067/09195	19,050	0,750	49,225	1,938	18,034	0,710
09067/09196	19,050	0,750	49,225	1,938	21,209	0,835
09074/09194	19,050	0,750	49,225	1,938	23,020	0,906
09074/09195	19,050	0,750	49,225	1,938	19,845	0,781
09074/09196	19,050	0,750	49,225	1,938	23,020	0,906
09081/09195	20,625	0,812	49,225	1,938	19,845	0,781
09081/09196	20,625	0,812	49,225	1,938	23,020	0,906
JF 10049/JF 10010	100,000	3,937	165,000	6,496	47,000	1,850
JP 10049/JP 10010	100,000	3,937	145,000	5,709	24,000	0,945
11162/11300	41,275	1,625	76,200	3,000	18,009	0,709
11163/11300	41,275	1,625	76,200	3,000	18,009	0,709
11590/11520	15,875	0,625	42,862	1,687	14,288	0,563
LM 11749/LM 11710	17,462	0,687	39,878	1,570	13,843	0,545
LM 11949/LM 11910	19,050	0,750	45,237	1,781	15,494	0,610
LM 11949 RS/LM 11910	19,050	0,750	45,237	1,781	15,494	0,610
JP 12049 A/JP 12010	120,000	4,724	170,000	6,693	27,000	1,063
JP 12049/JP 12010	120,000	4,724	170,000	6,693	27,000	1,063
M 12649 F/M 12610 F	21,430	0,844	50,005	1,969	17,026	0,670
M 12649/M 12610	21,430	0,844	50,005	1,969	17,526	0,690
LM 12748/LM 12710	21,430	0,844	45,237	1,781	15,494	0,610
LM 12749/LM 12710	21,986	0,866	45,237	1,781	15,494	0,610



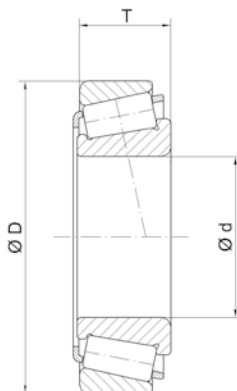
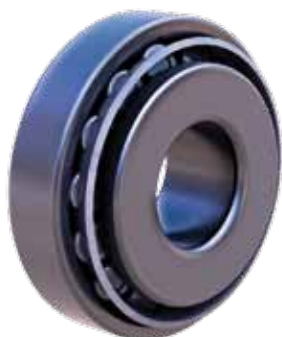
REFERENCES	d		D		T	
REFERENCIAS	mm	inch	mm	inch	mm	inch
LM 12749/LM 12711	21,986	0,866	45,974	1,810	15,494	0,610
JP 13049/JP 13010	130,000	5,118	185,000	7,283	29,000	1,142
13685/13621	38,100	1,500	69,012	2,717	19,050	0,750
13686/13620	38,100	1,500	69,012	2,717	26,195	1,031
13687/13620	38,100	1,500	69,012	2,717	19,050	0,750
13687/13621	38,100	1,500	69,012	2,717	19,050	0,750
13889/13836	38,100	1,500	65,088	2,563	12,700	0,500
14116/14276	30,226	1,190	69,012	2,717	19,845	0,781
14118/14274	30,000	1,181	69,012	2,717	19,845	0,781
14118/14283	30,000	1,181	72,085	2,838	22,385	0,881
14123 AA/14274	31,750	1,250	69,012	2,717	26,983	1,062
14123 AA/14276	31,750	1,250	69,012	2,717	26,983	1,062
14125 A/14274	31,750	1,250	69,012	2,717	19,845	0,781
14125 A/14276	31,750	1,250	69,012	2,717	19,845	0,781
14125 A/14283	31,750	1,250	72,085	2,838	22,385	0,881
14130/14274	33,338	1,313	69,012	2,717	19,845	0,781
14130/14276	33,338	1,313	69,012	2,717	19,845	0,781
14131/14274	33,338	1,313	69,012	2,717	19,845	0,781
14131/14276	33,338	1,313	69,012	2,717	19,845	0,781
14136 A/14276	34,925	1,375	69,012	2,717	26,983	1,062
14137 A/14274	34,925	1,375	69,012	2,717	19,845	0,781
14137 A/14276	34,925	1,375	69,012	2,717	19,845	0,781
14137 AS/14276	34,925	1,375	69,012	2,717	19,845	0,781
14138 A/14274	34,925	1,375	69,012	2,717	19,845	0,781
14138 A/14276	34,925	1,375	69,012	2,717	19,845	0,781
14138 A/14283	34,925	1,375	72,085	2,838	22,385	0,881
14585/14525	34,925	1,375	68,262	2,687	20,638	0,813
15100/15245	25,400	1,000	62,000	2,441	19,050	0,750
15100/15250	25,400	1,000	63,500	2,500	20,638	0,813
15100/15250 X	25,400	1,000	63,500	2,500	20,638	0,813



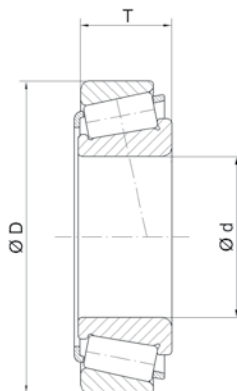
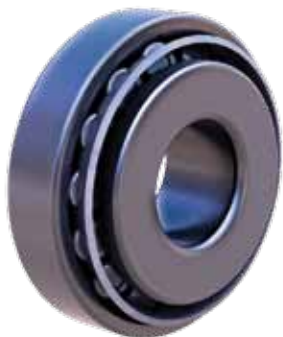
REFERENCES	d		D		T	
REFERENCIAS	mm	inch	mm	inch	mm	inch
15101/15245	25,400	1,000	62,000	2,441	19,050	0,750
15101/15250	25,400	1,000	63,500	2,500	20,638	0,813
15101/15250 X	25,400	1,000	63,500	2,500	20,638	0,813
15103 S/15243	26,162	1,030	61,912	2,437	19,050	0,750
15103 S/15245	26,162	1,030	62,000	2,441	19,050	0,750
15106/15245	26,988	1,063	62,000	2,441	19,050	0,750
15106/15250	26,988	1,063	63,500	2,500	20,638	0,813
15106/15250 X	26,988	1,063	63,500	2,500	20,638	0,813
15112/15245	26,988	1,063	62,000	2,441	19,050	0,750
15112/15250	26,988	1,063	63,500	2,500	20,638	0,813
15112/15250 X	26,988	1,063	63,500	2,500	20,638	0,813
15117/15245	29,987	1,181	62,000	2,441	19,050	0,750
15118/15245	30,213	1,189	62,000	2,441	19,050	0,750
15118/15250	30,213	1,189	63,500	2,500	20,638	0,813
15118/15250 X	30,213	1,189	63,500	2,500	20,638	0,813
15120/15250 X	30,213	1,189	63,500	2,500	20,638	0,813
15123/15244	31,750	1,250	62,000	2,441	19,749	0,778
15123/15245	31,750	1,250	62,000	2,441	18,161	0,715
15123/15250 X	31,750	1,250	63,500	2,500	19,749	0,778
15125/15245	31,750	1,250	62,000	2,441	19,050	0,750
15126/15245	31,750	1,250	62,000	2,441	19,050	0,750
15126/15250	31,750	1,250	63,500	2,500	20,638	0,813
15126/15250 X	31,750	1,250	63,500	2,500	20,638	0,813
J 15585/15520	27,988	1,102	57,150	2,250	17,462	0,687
15578/15520	25,400	1,000	57,150	2,250	17,462	0,687
15579 X/15520	25,987	1,023	57,150	2,250	17,462	0,687
15580/15520	26,988	1,063	57,150	2,250	17,462	0,687
16150/16284	38,100	1,500	72,238	2,844	20,638	0,813
17887/17831	45,230	1,781	79,985	3,149	19,842	0,781
18590/18520	41,275	1,625	73,025	2,875	16,667	0,656



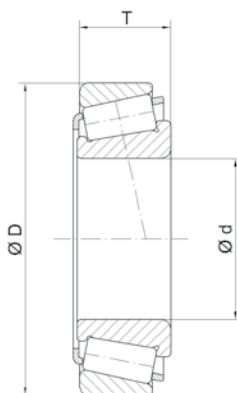
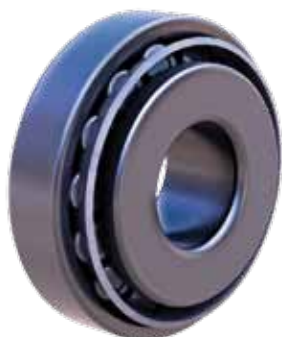
REFERENCES	d		D		T	
REFERENCIAS	mm	inch	mm	inch	mm	inch
18690/18620	46,038	1,813	79,375	3,125	17,462	0,687
18790/18720	50,800	2,000	85,000	3,346	17,462	0,687
19150/19268	38,100	1,500	68,262	2,687	15,875	0,625
21075/21212	19,050	0,750	53,975	2,125	22,225	0,875
23690/23620	34,925	1,375	73,025	2,875	26,988	1,063
24780/24720	41,275	1,625	76,200	3,000	22,225	0,875
24780/24721	41,275	1,625	76,200	3,000	25,400	1,000
24781/24720	41,275	1,625	76,200	3,000	22,225	0,875
24781/24721	41,275	1,625	76,200	3,000	25,400	1,000
25576/25520	42,862	1,687	82,931	3,265	23,812	0,937
25577/25520	42,875	1,688	82,931	3,265	23,812	0,937
25577/25521	42,875	1,688	83,058	3,270	23,812	0,937
25577/25522	42,875	1,688	83,058	3,270	23,876	0,940
25577/25523	42,875	1,688	82,931	3,265	26,988	1,063
25578/25520	42,862	1,687	82,931	3,265	23,812	0,937
25578/25521	42,862	1,687	83,058	3,270	23,812	0,937
25578/25522	42,862	1,687	83,058	3,270	23,876	0,940
25578/25523	42,862	1,687	82,931	3,265	26,988	1,063
25580/25520	44,450	1,750	82,931	3,265	23,812	0,937
25580/25521	44,450	1,750	83,058	3,270	23,812	0,937
25580/25522	44,450	1,750	83,058	3,270	23,876	0,940
25580/25523	44,450	1,750	82,931	3,265	26,988	1,063
25581/25520	44,450	1,750	82,931	3,265	23,813	0,938
25584 A/25520	44,987	1,771	82,931	3,265	23,812	0,937
25584/25520	44,983	1,771	82,931	3,265	23,812	0,937
25584/25521	44,983	1,771	83,058	3,270	23,813	0,938
25584/25547 RB	44,983	1,771	99,995	3,937	25,400	1,000
25590/25520	45,618	1,796	82,931	3,265	23,812	0,937
25590/25521	45,618	1,796	83,058	3,270	23,812	0,937
25590/25522	45,618	1,796	83,058	3,270	23,876	0,940



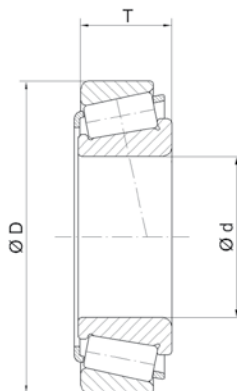
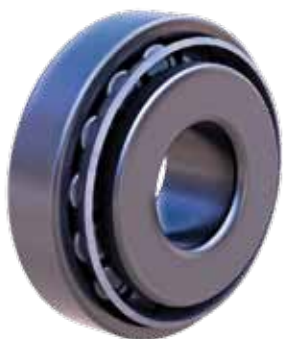
REFERENCES	d		D		T	
REFERENCIAS	mm	inch	mm	inch	mm	inch
25590/25523	45,618	1,796	82,931	3,265	26,988	1,063
25877/25820	34,925	1,375	73,025	2,875	23,812	0,937
25877/25821	34,925	1,375	73,025	2,875	23,812	0,937
25878/25820	34,925	1,375	73,025	2,875	23,812	0,937
25880/25820	36,487	1,436	73,025	2,875	23,812	0,937
25880/25821	36,487	1,436	73,025	2,875	23,812	0,937
JL 26749 F/JL 26710	32,000	1,260	53,000	2,087	14,500	0,571
26878/26823	38,100	1,500	76,200	3,000	25,400	1,000
26882 T/26822	41,275	1,625	79,375	3,125	23,812	0,937
26882/26820	41,275	1,625	80,167	3,156	25,400	1,000
26882/26822	41,275	1,625	79,375	3,125	23,812	0,937
26884/26823	42,875	1,688	76,200	3,000	25,400	1,000
27680/27620	73,025	2,875	125,412	4,937	25,400	1,000
27687/27620	82,550	3,250	125,412	4,937	25,400	1,000
27690/27620	83,345	3,281	125,412	4,937	25,400	1,000
28137/28317	34,925	1,375	80,035	3,151	21,433	0,844
28579/28520	49,987	1,968	89,980	3,543	24,750	0,974
28580/28520	50,800	2,000	89,980	3,543	24,750	0,974
28580/28521	50,800	2,000	92,075	3,625	24,608	0,969
28580/28527 RB	50,800	2,000	99,995	3,937	24,607	0,969
28584/28521	52,388	2,063	92,075	3,625	24,608	0,969
28682/28621	57,150	2,250	96,838	3,813	24,608	0,969
28682/28622	57,150	2,250	97,630	3,844	24,608	0,969
28985/28920	60,325	2,375	101,600	4,000	25,400	1,000
28985/28921	60,325	2,375	100,000	3,937	25,400	1,000
29585/29520	63,500	2,500	107,950	4,250	25,400	1,000
29586/29520	63,500	2,500	107,950	4,250	25,400	1,000
29586/29522	63,500	2,500	107,950	4,250	25,400	1,000
29590/29520	66,675	2,625	107,950	4,250	25,400	1,000
29590/29522	66,675	2,625	107,950	4,250	25,400	1,000



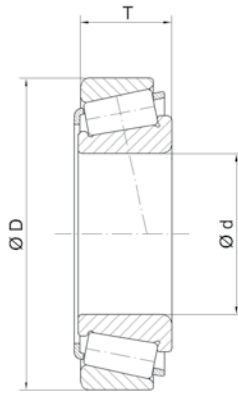
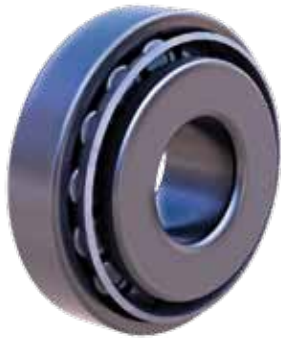
REFERENCES	d		D		T	
REFERENCIAS	mm	inch	mm	inch	mm	inch
29675/29620	69,850	2,750	112,712	4,437	25,400	1,000
29685/29620	73,025	2,875	112,712	4,437	25,400	1,000
29688/29620	73,817	2,906	112,712	4,437	25,400	1,000
LM 29748/LM 29710	38,100	1,500	65,088	2,563	18,034	0,710
LM 29748/LM 29711	38,100	1,500	65,088	2,563	18,034	0,710
LM 29749/LM 29710	38,100	1,500	65,088	2,563	18,034	0,710
LM 29749/LM 29711	38,100	1,500	65,088	2,563	19,812	0,780
31593/31520	34,925	1,375	76,200	3,000	29,370	1,156
31594/31520	34,925	1,375	76,200	3,000	29,370	1,156
33262 A/33461	66,675	2,625	117,475	4,625	30,163	1,188
33262/33462	66,675	2,625	117,475	4,625	30,162	1,187
33275/33462	69,850	2,750	117,475	4,625	30,162	1,187
33275/33472	69,850	2,750	120,000	4,724	29,794	1,173
33281/33462	71,438	2,813	117,475	4,625	30,162	1,187
33281/33472	71,438	2,813	120,000	4,724	29,794	1,173
33287/33462	73,025	2,875	117,475	4,625	30,162	1,187
33287/33472	73,025	2,875	120,000	4,724	29,794	1,173
33885/33822	44,450	1,750	95,250	3,750	27,783	1,094
33889/33821	50,800	2,000	95,250	3,750	27,783	1,094
33889/33822	50,800	2,000	95,250	3,750	27,783	1,094
33891/33821	52,388	2,063	95,250	3,750	27,783	1,094
33895/33821	53,975	2,125	95,250	3,750	27,783	1,094
33895/33822	53,975	2,125	95,250	3,750	27,783	1,094
34300/34478	76,200	3,000	121,442	4,781	24,608	0,969
34300/34478 B	76,200	3,000	121,442	4,781	11,907	0,469
34300/34500	76,200	3,000	127,000	5,000	26,988	1,063
34301/34500	76,200	3,000	127,000	5,000	26,988	1,063
34306/34478	77,788	3,063	121,442	4,781	24,608	0,969
37425 T/37625 T	107,950	4,250	158,750	6,250	23,020	0,906
37425/37625	107,950	4,250	158,750	6,250	23,020	0,906



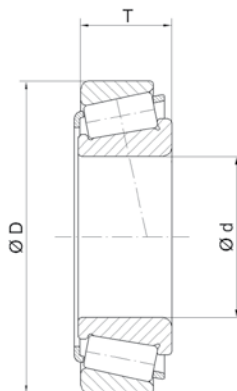
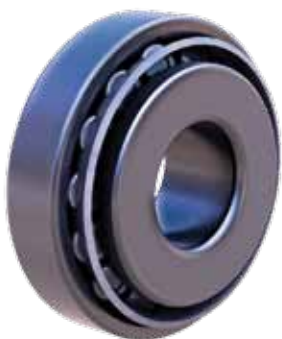
REFERENCES	d		D		T	
REFERENCIAS	mm	inch	mm	inch	mm	inch
37431/37625	109,538	4,313	158,750	6,250	23,020	0,906
37431 A/37625	109,538	4,313	158,750	6,250	23,020	0,906
39250/39412	63,500	2,500	104,775	4,125	21,433	0,844
39580/39520	57,150	2,250	112,712	4,437	30,162	1,187
39580/39528	57,150	2,250	119,985	4,724	32,750	1,289
39581/39520	57,150	2,250	112,712	4,437	30,162	1,187
39585/39520	63,500	2,500	112,712	4,437	30,162	1,187
39590/39520	66,675	2,625	112,712	4,437	30,162	1,187
41125/41286	26,988	1,063	72,626	2,859	24,608	0,969
42350/42584	88,900	3,500	148,430	5,844	28,575	1,125
42362/42584	92,075	3,625	148,430	5,844	28,575	1,125
42368/42584	93,662	3,687	148,430	5,844	28,575	1,125
42381/42584	96,838	3,813	148,430	5,844	28,575	1,125
42688/42620	76,200	3,000	127,000	5,000	30,162	1,187
44162/44348	41,275	1,625	88,500	3,484	25,400	1,000
L 44643/L 44610	25,400	1,000	50,292	1,980	14,224	0,560
L 44643 RS/L 44610	25,400	1,000	50,292	1,980	14,224	0,560
L 44645/L 44613	25,987	1,023	51,986	2,047	15,011	0,591
L 44649/L 44610	26,988	1,063	50,292	1,980	14,224	0,560
45284/45220	50,800	2,000	104,775	4,125	30,162	1,187
45285 A/45220	50,800	2,000	104,775	4,125	30,162	1,187
45285 A/45221	50,800	2,000	104,775	4,125	30,162	1,187
45289/45220	57,150	2,250	104,775	4,125	30,162	1,187
L 45449/L 45410	29,000	1,142	50,292	1,980	14,224	0,560
47487/47420	69,850	2,750	120,000	4,724	32,545	1,281
47490/47420	71,438	2,813	120,000	4,724	32,545	1,281
47686/47620	82,550	3,250	133,350	5,250	33,338	1,313
47890/47820	92,075	3,625	146,050	5,750	33,338	1,313
48190/48120	107,950	4,250	161,925	6,375	34,925	1,375
48385/48320	133,350	5,250	190,500	7,500	39,687	1,562



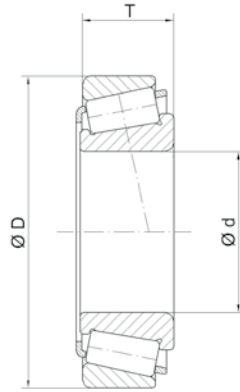
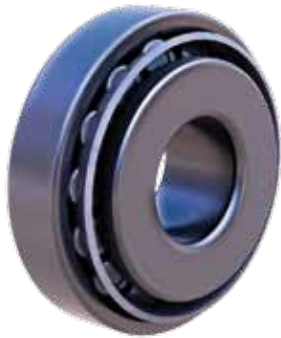
REFERENCES	d		D		T	
REFERENCIAS	mm	inch	mm	inch	mm	inch
LM 48548 RS/LM 48510	34,925	1,375	65,088	2,563	18,034	0,710
LM 48548/LM 48510	34,925	1,375	65,088	2,563	18,034	0,710
LM 48548/LM 48514 XP	34,925	1,375	68,262	2,687	18,034	0,710
49162/49368	41,275	1,625	93,662	3,687	31,750	1,250
49175/49368	44,450	1,750	93,662	3,687	31,750	1,250
49585/49520	50,800	2,000	101,600	4,000	31,750	1,250
52400/52618	101,600	4,000	157,162	6,187	36,512	1,437
53176/53375	44,450	1,750	95,250	3,750	30,958	1,219
53177/53375	44,450	1,750	95,250	3,750	30,958	1,219
53178/53377	44,450	1,750	95,250	3,750	30,958	1,219
55175 C/55437	44,450	1,750	111,125	4,375	30,162	1,187
55187 C/55437	47,625	1,875	111,125	4,375	30,162	1,187
55200 C/55437	50,800	2,000	111,125	4,375	30,162	1,187
55206 C/55437	52,388	2,063	111,125	4,375	30,162	1,187
56425/56650	107,950	4,250	165,100	6,500	36,512	1,437
59162/59412	41,275	1,625	104,775	4,125	36,512	1,437
64450/64700	114,300	4,500	177,800	7,000	41,275	1,625
65237/65500	60,325	2,375	127,000	5,000	44,450	1,750
66589/66520	59,972	2,361	122,238	4,813	33,338	1,313
LM 67048/LM 67010	31,750	1,250	59,131	2,328	15,875	0,625
LM 67048/LM 67010 BA	31,750	1,250	58,877	2,318	15,875	0,625
LM 67048/LM 67014	31,750	1,250	61,986	2,440	15,875	0,625
LM 67048/LM 67014 X	31,750	1,250	61,986	2,440	15,875	0,625
LM 67048 RS/LM 67010	31,750	1,250	59,131	2,328	15,875	0,625
LM 67049 A/LM 67010	31,750	1,250	59,131	2,328	15,875	0,625
LM 67049 A/LM 67014	31,750	1,250	61,986	2,440	15,875	0,625
LM 67049 AX/LM 67010 X	31,750	1,250	59,131	2,328	15,875	0,625
LM 67049/LM 67011	31,750	1,250	59,131	2,328	17,780	0,700
67391/67322	133,350	5,250	196,850	7,750	46,038	1,813
JL 68145/JL 68111 Z	35,000	1,378	60,000	2,362	15,875	0,625



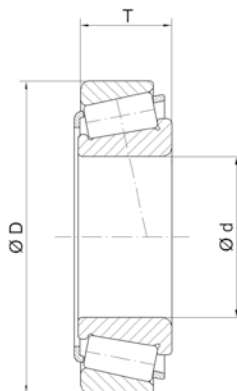
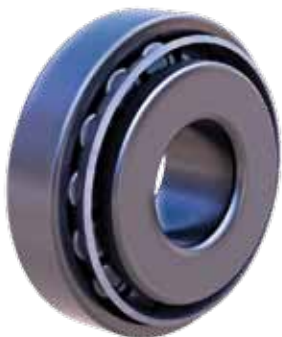
REFERENCES	d		D		T	
REFERENCIAS	mm	inch	mm	inch	mm	inch
L 68149/L 68110	34,987	1,377	59,131	2,328	15,875	0,625
L 68149 R/L 68110	34,987	1,377	59,131	2,328	15,875	0,625
L 68149/L 68111	34,987	1,377	59,975	2,361	15,875	0,625
L 68149/L 68116	34,987	1,377	65,088	2,563	15,875	0,625
68462/68712	117,475	4,625	180,975	7,125	34,925	1,375
JL 69345/JL 69310	38,000	1,496	63,000	2,480	17,000	0,669
JL 69345/JL 69310 Z	38,000	1,496	63,000	2,480	17,000	0,669
JL 69349/JL 69310	38,000	1,496	63,000	2,480	17,000	0,669
69354/69630	89,992	3,543	160,096	6,303	30,124	1,186
72187/72487	47,625	1,875	123,825	4,875	36,512	1,437
72200 C/72487	50,800	2,000	123,825	4,875	36,512	1,437
72212/72487	53,975	2,125	123,825	4,875	36,512	1,437
74500/74850	127,000	5,000	215,900	8,500	47,625	1,875
78225 C/78551	57,150	2,250	140,030	5,513	36,513	1,438
LM 78349/LM 78310 A	34,987	1,377	61,975	2,440	16,700	0,657
HM 81649/HM 81610	15,987	0,629	46,975	1,849	21,000	0,827
M 84249/M 84210	25,400	1,000	59,530	2,344	23,368	0,920
M 84548/M 84510	25,400	1,000	57,150	2,250	19,431	0,765
M 86647/M 86610	26,988	1,063	64,292	2,531	21,433	0,844
M 86648 A/M 86610	30,955	1,219	64,292	2,531	21,433	0,844
M 86649/M 86610	30,162	1,187	64,292	2,531	21,433	0,844
M 88043/M 88010	30,162	1,187	68,262	2,687	22,225	0,875
M 88043/M 88011	30,162	1,187	68,262	2,687	22,225	0,875
M 88046/M 88010	31,750	1,250	68,262	2,687	22,225	0,875
M 88048/M 88010	33,338	1,313	68,262	2,687	22,225	0,875
M 88048/M 88011	33,338	1,313	68,262	2,687	22,225	0,875
JHM 88540/JHM 88513	30,000	1,181	72,000	2,835	29,370	1,156
HM 88542/HM 88510	31,750	1,250	73,025	2,875	29,370	1,156
HM 88547/HM 88510	33,338	1,313	73,025	2,875	29,370	1,156
HM 88648/HM 88610	35,717	1,406	72,233	2,844	25,400	1,000



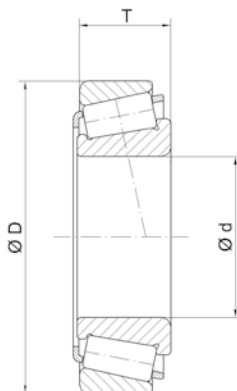
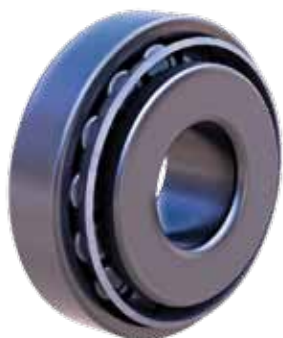
REFERENCES	d		D		T	
REFERENCIAS	mm	inch	mm	inch	mm	inch
HM 88649/HM 88610	34,925	1,375	72,233	2,844	25,400	1,000
HM 89443/HM 89410	33,338	1,313	76,200	3,000	29,370	1,156
HM 89446/HM 89410	34,925	1,375	76,200	3,000	29,370	1,156
HM 89448/HM 89410	36,512	1,437	76,200	3,000	29,370	1,156
HM 89449/HM 89410	36,512	1,437	76,200	3,000	29,370	1,156
LM 102949/LM 102910	45,242	1,781	73,431	2,891	19,558	0,770
LM 102949/LM 102911	45,242	1,781	73,431	2,891	21,430	0,844
LM 104949/JLM 104910	50,800	2,000	82,000	3,228	21,976	0,865
LM 104949/LM 104911	50,800	2,000	82,550	3,250	21,590	0,850
LM 104949/LM 104911 A	50,800	2,000	82,550	3,250	21,976	0,865
LM 104949/LM 104912	50,800	2,000	82,931	3,265	21,590	0,850
JLM 104945/JLM 104910	50,000	1,969	82,000	3,228	21,500	0,846
JLM 104946/JLM 104910	50,000	1,969	82,000	3,228	21,500	0,846
JLM 104948/JLM 104910	50,000	1,969	82,000	3,228	21,500	0,846
JLM 104948/LM 104911	50,000	1,969	82,550	3,250	21,500	0,846
HM 204043/HM 204010	39,987	1,574	90,975	3,582	32,000	1,260
JM 205149 A/JM 205110	50,000	1,969	90,000	3,543	28,000	1,102
JM 205149/JM 205110	50,000	1,969	90,000	3,543	28,000	1,102
JM 207049 A/JM 207010	53,975	2,125	95,000	3,740	29,000	1,142
JM 207049/JM 207010	53,975	2,125	95,000	3,740	29,000	1,142
JH 211749/JH 211710	65,000	2,559	120,000	4,724	39,000	1,535
HM 212044/HM 212011	60,325	2,375	122,238	4,813	38,100	1,500
HM 212047/HM 212011	63,500	2,500	122,238	4,813	38,100	1,500
HM 212049/HM 212010	66,675	2,625	122,238	4,813	38,100	1,500
HM 212049/HM 212011	66,675	2,625	122,238	4,813	38,100	1,500
H 212749/H 212710	65,987	2,598	123,975	4,881	41,500	1,634
HM 215249/HM 215210	75,987	2,992	131,975	5,196	39,000	1,535
LL 217849/LL 217810	88,900	3,500	121,442	4,781	15,083	0,594
HM 218248/HM 218210	89,974	3,542	146,975	5,786	40,000	1,575
HM 220149/HM 220110	99,975	3,936	156,975	6,180	42,000	1,654



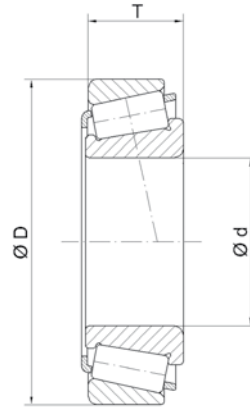
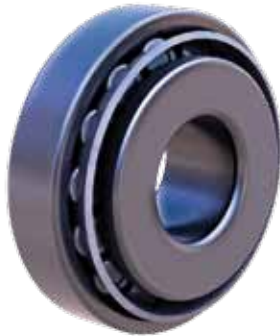
REFERENCES	d		D		T	
REFERENCIAS	mm	inch	mm	inch	mm	inch
LL 225749/LL 225710	127,000	5,000	165,895	6,531	18,258	0,719
LM 300849/LM 300811	40,987	1,614	67,975	2,676	17,500	0,689
L 319249/L 319210	95,250	3,750	130,175	5,125	20,638	0,813
LL 319349/LL 319310	95,250	3,750	128,587	5,062	15,875	0,625
LM 330448/LM 330410	152,400	6,000	203,200	8,000	41,275	1,625
H 414242/H 414210	66,675	2,625	136,525	5,375	41,275	1,625
JH 415647/JH 415610	75,000	2,953	145,000	5,709	51,000	2,008
LM 501349/LM 501310	41,275	1,625	73,431	2,891	19,558	0,770
LM 501349/LM 501314	41,275	1,625	73,431	2,891	21,430	0,844
LM 503349/LM 503310	45,987	1,811	74,976	2,952	18,000	0,709
LM 503349 A/LM 503310	45,987	1,811	74,976	2,952	18,000	0,709
JLM 506849 A/JLM 506811	53,975	2,125	90,000	3,543	25,000	0,984
JLM 506849/JLM 506810	53,975	2,125	90,000	3,543	23,000	0,906
JLM 508748/JLM 508710	60,000	2,362	95,000	3,740	24,000	0,945
JM 511945 / 3920	65,000	2,559	112,712	4,437	29,020	1,143
JM 511945/JM 511910	65,000	2,559	110,000	4,331	28,000	1,102
JM 511946/JM 511910	65,000	2,559	110,000	4,331	28,000	1,102
JM 515649/JM 515610	80,000	3,150	130,000	5,118	35,000	1,378
HM 516449 C/HM 516410	82,550	3,250	133,350	5,250	39,688	1,563
JHM 516849/JHM 516810	85,000	3,346	140,000	5,512	39,000	1,535
HM 518445/HM 518410	88,900	3,500	152,400	6,000	39,688	1,563
L 521949/L 521910	107,950	4,250	146,050	5,750	21,433	0,844
JHM 522649/JHM 522610	110,000	4,331	180,000	7,087	47,000	1,850
LM 603049/LM 603011	45,242	1,781	77,788	3,063	19,842	0,781
LM 603049/LM 603012	45,242	1,781	77,788	3,063	21,430	0,844
LM 603049/LM 603014	45,242	1,781	79,975	3,149	19,842	0,781
JM 612949/JM 612910	70,000	2,756	115,000	4,528	29,000	1,142
L 623149/L 623110	114,300	4,500	152,400	6,000	21,432	0,844
JLM 704649/JLM 704610	50,000	1,969	84,000	3,307	22,000	0,866
JLM 710949 C/JLM 710910	65,000	2,559	105,000	4,134	24,000	0,945



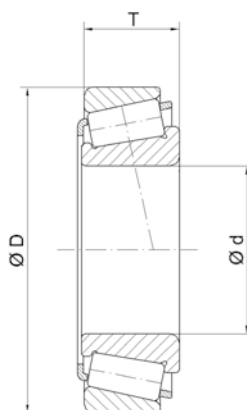
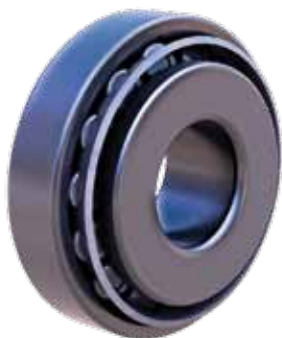
REFERENCES	d		D		T	
REFERENCIAS	mm	inch	mm	inch	mm	inch
L 713049/L 713010	69,850	2,750	101,600	4,000	19,050	0,750
JLM 714149/JLM 714110	75,000	2,953	115,000	4,528	25,000	0,984
JM 714249/JM 714210	75,000	2,953	120,000	4,724	31,000	1,220
H 715332/H 715311	60,325	2,375	136,525	5,375	46,038	1,813
H 715334/H 715311	61,912	2,437	136,525	5,375	46,038	1,813
H 715336/H 715311	63,500	2,500	136,525	5,375	46,038	1,813
H 715340/H 715311	65,088	2,563	136,525	5,375	46,038	1,813
H 715341/H 715311	66,675	2,625	136,525	5,375	46,038	1,813
H 715343/H 715311	68,262	2,687	136,525	5,375	46,038	1,813
H 715345/H 715311	71,438	2,813	136,525	5,375	46,038	1,813
JM 716649/JM 716610	85,000	3,346	130,000	5,118	30,000	1,181
JM 718149 A/JM 718110	90,000	3,543	145,000	5,709	35,000	1,378
JM 718149/JM 718110	90,000	3,543	145,000	5,709	35,000	1,378
JM 719149/JM 719113	95,000	3,740	150,000	5,906	35,000	1,378
JHM 720249/JHM 720210	100,000	3,937	160,000	6,299	41,000	1,614
JM 720249/JM 720210	100,000	3,937	155,000	6,102	36,000	1,417
HM 801346/HM 801310	38,100	1,500	82,550	3,250	29,370	1,156
HM 801346 X/HM 801310	38,100	1,500	82,550	3,250	29,370	1,156
M 802048/M 802011	41,275	1,625	82,550	3,250	26,543	1,045
HM 803145/HM 803110	41,275	1,625	88,900	3,500	30,163	1,188
HM 803146/HM 803110	41,275	1,625	88,900	3,500	30,162	1,187
HM 803149/HM 803110	44,450	1,750	88,900	3,500	30,162	1,187
HM 803149/HM 803112	44,450	1,750	92,075	3,625	30,162	1,187
M 804048/M 804010	47,625	1,875	88,900	3,500	25,400	1,000
M 804049/M 804010	47,625	1,875	88,900	3,500	25,400	1,000
HM 804840/HM804810	41,275	1,625	95,250	3,750	30,162	1,187
HM 804843/HM 804810	44,450	1,750	95,250	3,750	30,162	1,187
HM 804846/HM 804810	47,625	1,875	95,250	3,750	30,162	1,187
LM 806649/LM 806610	53,975	2,125	88,900	3,500	19,050	0,750
HM 807040/HM 807010	44,450	1,750	104,775	4,125	36,512	1,437



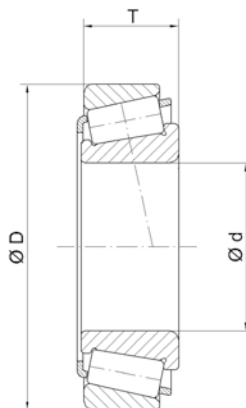
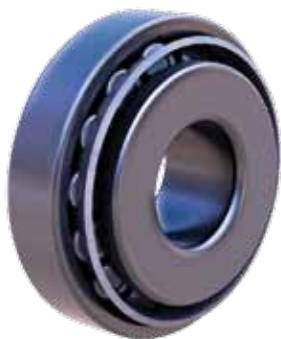
REFERENCES	d		D		T	
REFERENCIAS	mm	inch	mm	inch	mm	inch
HM 807044/HM 807010	49,212	1,937	104,775	4,125	36,512	1,437
JHM 807045/JHM 807012	50,000	1,969	105,000	4,134	37,000	1,457
HM 807046/HM 807010	50,800	2,000	104,775	4,125	36,512	1,437
HM 807048/HM 807010	54,487	2,145	104,775	4,125	36,512	1,437
HM 807049/HM 807010	53,975	2,125	104,775	4,125	36,512	1,437
JLM 813049/JLM 813010	70,000	2,756	110,000	4,331	26,000	1,024
HM 813840/HM813811	55,562	2,187	127,000	5,000	36,512	1,437
HM 813841/HM 813810	60,325	2,375	127,000	5,000	36,512	1,437
HM 813841/HM 813811	60,325	2,375	127,000	5,000	36,512	1,437
HM 813842/HM 813810	63,500	2,500	127,000	5,000	36,512	1,437
HM 813843/HM 813810	61,912	2,437	127,000	5,000	36,512	1,437
HM 813849/HM 813810	71,438	2,813	127,000	5,000	36,512	1,437
HM 813849/HM 813811	71,438	2,813	127,000	5,000	36,512	1,437
L 814749/L 814710	76,200	3,000	109,538	4,313	19,050	0,750
JL 819349/JL 819310	95,000	3,740	135,000	5,315	20,000	0,787
HM 903245/HM 903210	41,275	1,625	95,250	3,750	30,958	1,219
HM 903249/HM 903210	44,450	1,750	95,250	3,750	30,958	1,219
HM 905843/HM 905810	44,987	1,771	104,986	4,133	32,512	1,280
L 910349/L 910310	63,485	2,499	94,975	3,739	17,000	0,669
HM 911244/HM 911210	59,987	2,362	130,175	5,125	34,100	1,343
HM 911244/HM 911216	59,987	2,362	134,983	5,314	33,449	1,317
HM 911245/HM 911210	60,325	2,375	130,175	5,125	36,512	1,437
H 913842/H 913810	61,912	2,437	146,050	5,750	41,275	1,625
H 913843/H 913810	61,912	2,437	146,050	5,750	41,275	1,625
H 913849/H 913810	69,850	2,750	146,050	5,750	41,275	1,625
H 924033/H 924010	101,600	4,000	214,312	8,437	55,562	2,187



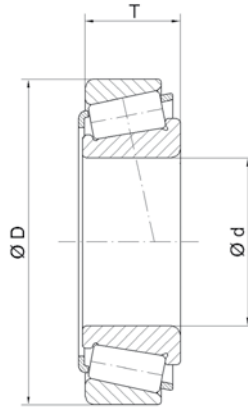
REFERENCES	d		D		T	
REFERENCIAS	mm	inch	mm	inch	mm	inch
F 10053	68,262	2,687	115,000	4,528	30,162	1,187
F 15001	25,000	0,984	62,000	2,441	18,250	0,719
F 15002	30,000	1,181	72,000	2,835	20,750	0,817
F 15003	40,987	1,614	67,975	2,676	17,500	0,689
F 15007	60,000	2,362	92,500	3,642	23,000	0,906
F 15014	35,000	1,378	80,000	3,150	22,750	0,896
F 15023	28,000	1,102	67,000	2,638	20,500	0,807
F 15028	22,000	0,866	41,000	1,614	14,500	0,571
F 15029/L 45410	29,000	1,142	50,292	1,980	14,224	0,560
F 15036/JL 68111 Z	35,000	1,378	60,000	2,362	15,875	0,625
F 15040	35,000	1,378	60,000	2,362	13,000	0,512
F 15046	60,000	2,362	130,000	5,118	39,000	1,535
F 15047	50,800	2,000	100,000	3,937	35,000	1,378
F 15048	75,000	2,953	180,000	7,087	63,500	2,500
F 15051 C	70,000	2,756	130,000	5,118	57,000	2,244
F 15051 R	70,000	2,756	130,000	5,118	57,000	2,244
F 15054/3720	50,000	1,969	93,264	3,672	30,162	1,187
F 15055/LM 29710	38,100	1,500	35,088	1,381	18,034	0,710
F 15056/320/28	28,000	1,102	52,000	2,047	15,750	0,620
F 15063	22,000	0,866	47,000	1,850	20,750	0,817
F 15071	75,000	2,953	160,000	6,299	58,000	2,283
F 15075	88,000	3,465	140,000	5,512	32,000	1,260
F 15076	105,000	4,134	170,000	6,693	38,000	1,496
F 15079	30,162	1,187	68,263	2,688	22,225	0,875
F 15080	34,925	1,375	73,025	2,875	26,988	1,063
F 15082	22,000	0,866	47,000	1,850	20,750	0,817
F 15083	22,000	0,866	47,000	1,850	20,750	0,817
F 15084	22,000	0,866	47,000	1,850	20,750	0,817
F 15088	60,000	2,362	95,000	3,740	27,000	1,063
F 15089	22,000	0,866	47,000	1,850	20,750	0,817



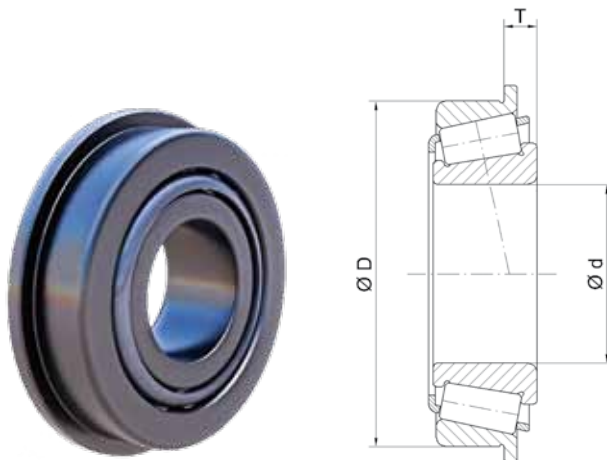
REFERENCES	SKF	FAG	KOYO	TIMKEN	SNR	NSK
REFERENCIAS						
F 10053		540849				
F 15001			TR 0506 R			
F 15002			TRA 0607 R			
F 15003			57414/LM 300811			
F 15007	BT1B328092					
F 15014	30307XR-N					
F 15023	639194 Q CL7A					
F 15028				JL22349/10		
F 15029/L 45410						
F 15036/JL 68111 Z	BT1B332541AB/Q	540484				
F 15040	BT1 328227 CA/Q					
F 15046	239697 Q	521471 A				
F 15047	331305A/Q			XGA 33211		
F 15048		543562				
F 15051 C		534565				
F 15051 R	331933	528983				
F 15054/3720						50KW01
F 15055/LM 29710						38KW01C9
F 15056/320/28						28KW0165SA
F 15063					AC 10059	
F 15071	BT1B243150/QCL7C					
F 15075	331958 Q					
F 15076	331126 Q					
F 15079	BT1B332674A					
F 15080	330865C/332046AD					
F 15082	330633 C	509333 A				
F 15083	331075	521618				
F 15084			ST 2455			
F 15088						
F 15089	1861071	528935			EC 10059	



REFERENCES	d		D		T	
REFERENCIAS	mm	inch	mm	inch	mm	inch
F 15102	40,000	1,575	72,000	2,835	22,500	0,886
F 15104	85,000	3,346	150,000	5,906	30,500	1,201
F 15109	39,688	1,563	80,167	3,156	29,370	1,156
F 15112	42,000	1,654	76,000	2,992	23,812	0,937
F 15114	70,000	2,756	150,000	5,906	41,275	1,625
F 15115	89,975	3,542	146,975	5,786	40,000	1,575
F 15116	70,000	2,756	150,000	5,906	39,800	1,567
F 15117	40,000	1,575	90,000	3,543	28,750	1,132
F 15119	65,000	2,559	150,000	5,906	38,000	1,496
F 15133	57,165	2,251	140,000	5,512	28,250	1,112
F 15156	80,000	3,150	140,000	5,512	39,250	1,545
F 15157	38,100	1,500	90,000	3,543	35,250	1,388
F 15158	60,000	2,362	135,000	5,315	37,000	1,457
F 15159	65,000	2,559	165,000	6,496	40,000	1,575



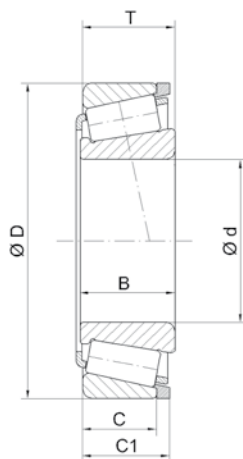
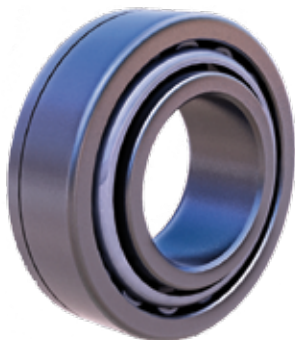
REFERENCES	SKF	FAG	KOYO	TIMKEN	SNR	NSK
REFERENCIAS						
F 15102	BT1B 332986					
F 15104						
F 15109						
F 15112						
F 15114						
F 15115		580779 A				
F 15116	BT1B 329012					
F 15117	BT1 0097 C					
F 15119	BT1B 328406 A/30314/ QVB01					
F 15133				NP 988748 / NP 247732		
F 15156		804358				
F 15157		543805				
F 15158		562830 A				
F 15159		575725.F51				



REFERENCIAS	d		D		T	
REFERENCIAS	mm	inch	mm	inch	mm	inch
11163/11300 B	41,275	1,625	76,200	3,000	7,292	0,287
65237/65500 B	60,325	2,375	127,000	5,000	16,670	0,656
HM 807046/HM 807010 BT	50,800	2,000	104,775	4,125	12,000	0,472
JHM 803148/JHM 803113 B	45,000	1,772	90,000	3,543	9,000	0,354
LM 67048/LM 67010 BA	31,750	1,250	58,877	2,318	6,833	0,269
M 88043/M 88010 B	30,162	1,187	68,262	2,687	8,730	0,344
F 15108	21,986	0,866	45,000	1,772	6,500	0,256
302 08 BF	40,000	1,575	80,000	3,150	7,750	0,305
F 15161	45,000	1,772	110,000	4,331	29,250	1,152
302 10 BF	50,000	1,969	90,000	3,543	8,750	0,344
331 13 BF	65,000	2,559	110,000	4,331	13,000	0,512

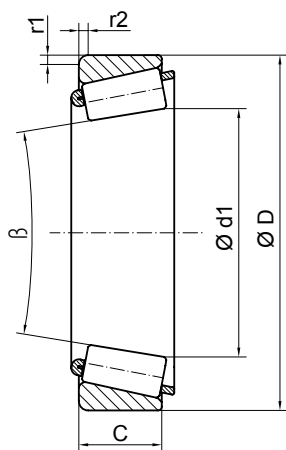
REFERENCIAS	d		D		T	
REFERENCIAS	mm	inch	mm	inch	mm	inch
L 29002/L 33492	77,000	3,031	127,990	5,039	30,600	1,205
L 29002/L 29001	77,000	3,031	128,064	5,042	37,600	1,480

Exclusive for new A&S Fersa references / Espacio exclusivo para nuevas referencias de A&S Fersa



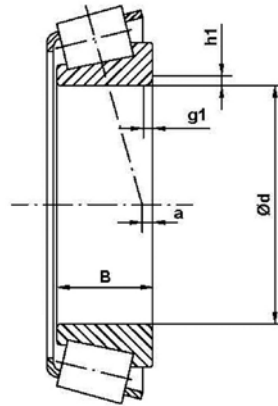
REFERENCES	d		D		B		C		C ₁		T	
REFERENCIAS	mm	inch	mm	inch	mm	inch	mm	inch	mm	inch	mm	inch
U 298/U 261 L	35,000	1,378	65,000	2,559	20,600	0,811	14,000	0,551	17,000	0,669	18,100	0,713
U 298/U 261 L +COLLAR	35,000	1,378	65,000	2,559	20,600	0,811	14,000	0,551	17,000	0,669	18,100	0,713
U 399/U 360 L	39,688	1,563	73,025	2,875	22,098	0,870	15,265	0,601	18,500	0,728	19,395	0,764
U 399/U 360 L +COLLAR	39,688	1,563	73,025	2,875	22,098	0,870	15,265	0,601	18,500	0,728	19,395	0,764
U 399/U 365 L	39,688	1,563	79,967	3,148	22,098	0,870	15,265	0,601	20,091	0,791	19,395	0,764
U 399/U 365 L +COLLAR	39,688	1,563	79,967	3,148	22,098	0,870	15,265	0,601	20,091	0,791	19,395	0,764
U 497/U 460 L	45,000	1,772	80,000	3,150	26,000	1,024	18,400	0,724	22,000	0,866	24,000	0,945
U 497/U 460 L + COLLAR	45,000	1,772	80,000	3,150	26,000	1,024	18,400	0,724	22,000	0,866	24,000	0,945

Exclusive for new A&S Fersa references / Espacio exclusivo para nuevas referencias de A&S Fersa



REFERENCES	d1		D		C		r1/r2 min	β	POSITION POSICIÓN
REFERENCIAS	mm	inch	mm	inch	mm	inch			
6	*	*	44,450	1,750	9,525	0,375	1,5	*	2
6 CE	*	*	49,146	1,935	19,050	0,750	Esp.	*	2
13 C	*	*	49,225	1,938	11,509	0,453	1,5	*	2
14 XS	*	*	57,092	2,248	17,094	0,673	2,0	*	2
5 BC	28,313	1,115	*	*	*	*	*	25° 24'	1
11 BC	33,297	1,311	*	*	*	*	*	29° 58'	1
35 BC	43,655	1,719	*	*	*	*	*	31° 52'	1

Exclusive for new A&S Fersa references / Espacio exclusivo para nuevas referencias de A&S Fersa

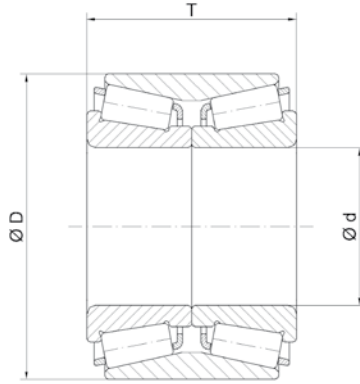
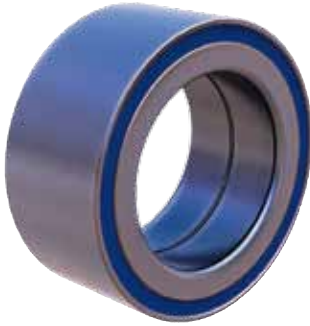


REFERENCES	d		B		EQUIVALENCES
REFERENCIAS	mm	inch	mm	inch	EQUIVALENCIAS
F 15101	28,000	1,102	32,000	1,260	ZF 0750 117 562
F 15110	32,000	1,260	29,500	1,161	TIMKEN JXC 25662 C
F 15111	55,000	2,165	29,800	1,173	ST 4276 C/A
F 15113	50,000	1,969	41,275	1,625	OEM 017 981 51 05
F 15131	38,100	1,500	29,771	1,172	TIMKEN NP 457202
F 15132	45,000	1,772	30,045	1,183	TIMKEN NP 057427
F 15134	65,000	2,559	31,000	1,220	OEM A 002 981 45 81
F 15150	40,000	1,575	38,000	1,496	FAG 576503

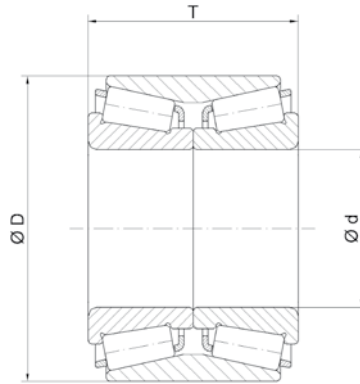
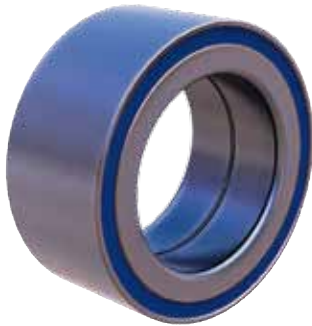
Exclusive for new A&S Fersa references / Espacio exclusivo para nuevas referencias de A&S Fersa

02/ Double row tapered roller bearings Rodamientos cónicos de doble hilera





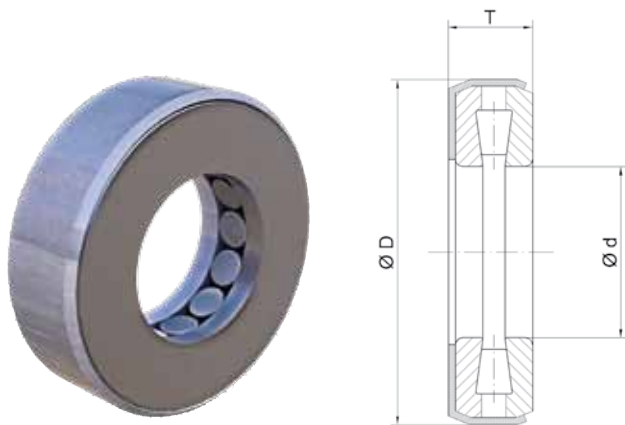
REFERENCES	d		D		T	
REFERENCIAS	mm	inch	mm	inch	mm	inch
385/384 D	55,000	2,165	100,000	3,937	52,388	2,063
F 15015	41,000	1,614	68,000	2,677	40,000	1,575
F 15041	25,000	0,984	52,000	2,047	37,000	1,457
F 15042	25,000	0,984	52,000	2,047	43,000	1,693
F 15043	25,000	0,984	55,000	2,165	43,000	1,693
F 15044	35,000	1,378	65,000	2,559	35,000	1,378
F 15045	39,000	1,535	68,000	2,677	37,000	1,457
F 15050	25,000	0,984	52,000	2,047	37,000	1,457
F 15067	29,000	1,142	53,000	2,087	37,000	1,457
F 15068	49,000	1,929	84,000	3,307	48,000	1,890
F 15128	27,000	1,063	53,000	2,087	43,000	1,693
F 15129	40,000	1,575	75,000	2,953	50,000	1,969
F 15130	42,000	1,654	80,000	3,150	38,000	1,496
F 15137	27,000	1,063	52,000	2,047	45,000	1,772
F 15160	43,000	1,693	77,000	3,031	45,500	1,791
F 15166	55,000	2,165	93,000	3,661	51,100	2,012
F 15167	49,000	1,929	84,000	3,307	43,000	1,693
F 15168	49,000	1,929	84,000	3,307	48,000	1,890
F 15169	49,000	1,929	84,000	3,307	48,200	1,898
F 15170	49,000	1,929	84,000	3,307	48,000	1,890
F 15172	38,000	1,496	76,000	2,992	42,900	1,689
F 15173	35,000	1,378	68,000	2,677	48,000	1,890
F 15174	45,300	1,783	80,000	3,150	48,000	1,890
F 15175	25,000	0,984	55,000	2,165	45,200	1,780



REFERENCES	SKF	NTN	TIMKEN	SNR	NSK
REFERENCIAS					
385/384 D					
F 15015					41KWD01G3
F 15041	BT2B445539BA/VC025			FC 12025-S09	
F 15042				FC 12180S04	
F 15043				FC 12271-S03	
F 15044			JRM 3535 A/JRM 3565 XD	FC 12033S01	
F 15045			JRM 3939/JRM 3968 XD		
F 15050				FC12784S03	
F 15067					
F 15068			JXC 25469CA/JXC 25469 DB		
F 15128					
F 15129					40KWD02
F 15130					42KWDD8A
F 15137		4T-CR1-0569CS83/5A			
F 15160					43 KWD 07AU42CA
F 15166	441442 D/Q				
F 15167			JXC 25469 C		
F 15168	BTHB 329129 ABC				
F 15169				FC 40918	
F 15170	BTHB 329129 DE				
F 15172					38KWD04AG3CA1-01
F 15173				FC 40772 S02	
F 15174				FC 40096 S05	
F 15175				FC 40858 S02	

03/ Thrust tapered roller bearings Rodamientos axiales cónicos





REFERENCIAS	d		D		T	
REFERENCIAS	mm	inch	mm	inch	mm	inch
T 94	24,054	0,947	48,021	1,891	15,088	0,594
T 101	25,654	1,010	50,800	2,000	15,875	0,625
T 113	28,829	1,135	55,562	2,187	15,875	0,625
T 119	30,416	1,197	55,562	2,187	15,875	0,625
T 126	32,004	1,260	55,562	2,187	15,875	0,625
T 138	35,179	1,385	66,675	2,625	19,446	0,766
T 139	35,179	1,385	58,738	2,313	16,000	0,630
T 144	36,754	1,447	66,675	2,625	19,446	0,766
T 149	38,303	1,508	65,883	2,594	19,310	0,760
T 151	38,354	1,510	72,619	2,859	21,433	0,844
T 152	38,354	1,510	72,619	2,859	20,638	0,813
T 163	41,529	1,635	72,619	2,859	21,433	0,844
T 177	45,000	1,772	73,000	2,874	20,000	0,787
T 182	46,279	1,822	82,956	3,266	23,812	0,937
T 199	51,054	2,010	74,612	2,937	15,875	0,625
T 200	50,800	2,000	109,538	4,313	22,225	0,875
T 200 A	50,800	2,000	109,538	4,313	22,225	0,875

04/ Deep groove ball bearings Rodamientos radiales de bolas



Deep groove ball bearings

Rodamientos radiales de bolas

4.1/ Standard ball bearings

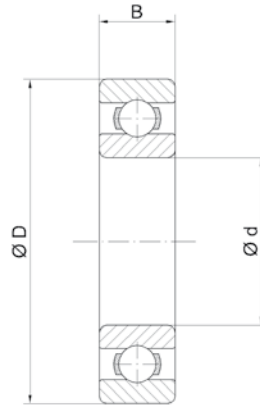
Rodamientos de bolas estándar

58

4.2/ Special ball bearings

Rodamientos de bolas especiales

62

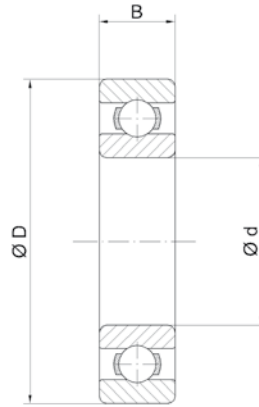


REFERENCIAS	d		D		B	
REFERENCIAS	mm	inch	mm	inch	mm	inch
608	8,000	0,315	22,000	0,866	7,000	0,276
6000	10,000	0,394	26,000	1,024	8,000	0,315
6200	10,000	0,394	30,000	1,181	9,000	0,354
6300	10,000	0,394	35,000	1,378	11,000	0,433
6001	12,000	0,472	28,000	1,102	8,000	0,315
6201	12,000	0,472	32,000	1,260	10,000	0,394
62201	12,000	0,472	32,000	1,260	14,000	0,551
6301	12,000	0,472	37,000	1,457	12,000	0,472
6203/d12	12,000	0,472	40,000	1,575	12,000	0,472
6002	15,000	0,591	32,000	1,260	9,000	0,354
6202	15,000	0,591	35,000	1,378	11,000	0,433
62202	15,000	0,591	35,000	1,378	14,000	0,551
6302	15,000	0,591	42,000	1,654	13,000	0,512
6303/d15	15,000	0,591	47,000	1,850	14,000	0,551
6003	17,000	0,669	35,000	1,378	10,000	0,394
6203	17,000	0,669	40,000	1,575	12,000	0,472
6303	17,000	0,669	47,000	1,850	14,000	0,551
6304/d17	17,000	0,669	52,000	2,047	15,000	0,591
6304/d17 B16	17,000	0,669	52,000	2,047	16,000	0,630
6304/d17 B17	17,000	0,669	52,000	2,047	17,000	0,669
6403	17,000	0,669	62,000	2,441	17,000	0,669
61904	20,000	0,787	37,000	1,457	9,000	0,354
6004	20,000	0,787	42,000	1,654	12,000	0,472
6204	20,000	0,787	47,000	1,850	14,000	0,551
62204	20,000	0,787	47,000	1,850	18,000	0,709
6304 B12	20,000	0,787	52,000	2,047	12,000	0,472
6304	20,000	0,787	52,000	2,047	15,000	0,591
62304	20,000	0,787	52,000	2,047	21,000	0,827
6304 B12 D56	20,000	0,787	56,000	2,205	12,000	0,472
6404	20,000	0,787	72,000	2,835	19,000	0,748

Suffixes / Sufijos

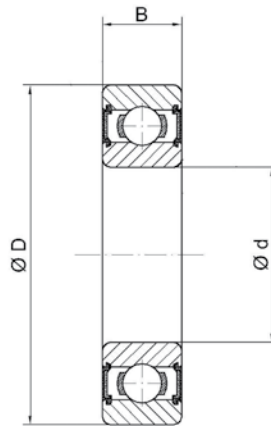
- Z Shield at one side / Tapas en una cara
- ZZ Rubbing at both sides / Tapas en las dos caras
- RS Rubbing seal at one side / Tapa retén en las dos caras
- 2RS Rubbing seals at both sides / Tapa retén en las dos caras
- M Machined brass cage / Jaula de latón
- N Snap ring groove in outer ring / Ranura y anillo elástico en aro exterior
- NR Snap ring groove and snap ring in outer ring / Ranura y anillo elástico en aro exterior
- C3 Internal clearance greater than normal / Juego radial mayor que el normal

REFERENCES	d		D		B	
REFERENCIAS	mm	inch	mm	inch	mm	inch
62/22	22,000	0,866	50,000	1,969	14,000	0,551
6005	25,000	0,984	47,000	1,850	12,000	0,472
6205	25,000	0,984	52,000	2,047	15,000	0,591
6205 B12 D56	25,000	0,984	56,000	2,205	12,000	0,472
6305	25,000	0,984	62,000	2,441	17,000	0,669
62305	25,000	0,984	62,000	2,441	24,000	0,945
6306 d25	25,000	0,984	72,000	2,835	19,000	0,748
6405	25,000	0,984	80,000	3,150	21,000	0,827
RMS 9	28,575	1,125	71,438	2,813	20,638	0,813
6006	30,000	1,181	55,000	2,165	13,000	0,512
6206	30,000	1,181	62,000	2,441	16,000	0,630
62206	30,000	1,181	62,000	2,441	20,000	0,787
6306	30,000	1,181	72,000	2,835	19,000	0,748
62306	30,000	1,181	72,000	2,835	27,000	1,063
6406	30,000	1,181	90,000	3,543	23,000	0,906
6207/d33	33,000	1,299	72,000	2,835	17,000	0,669
6007	35,000	1,378	62,000	2,441	14,000	0,551
6207	35,000	1,378	72,000	2,835	17,000	0,669
62207	35,000	1,378	72,000	2,835	23,000	0,906
6307	35,000	1,378	80,000	3,150	21,000	0,827
6307 B23	35,000	1,378	80,000	3,150	23,000	0,906
6407	35,000	1,378	100,000	3,937	25,000	0,984
6008	40,000	1,575	68,000	2,677	15,000	0,591
6208	40,000	1,575	80,000	3,150	18,000	0,709
62208	40,000	1,575	80,000	3,150	23,000	0,906
6308	40,000	1,575	90,000	3,543	23,000	0,906
6408	40,000	1,575	110,000	4,331	27,000	1,063
61809	44,400	1,748	58,000	2,283	7,000	0,276
61909	45,000	1,772	68,000	2,677	12,000	0,472
6009	45,000	1,772	75,000	2,953	16,000	0,630



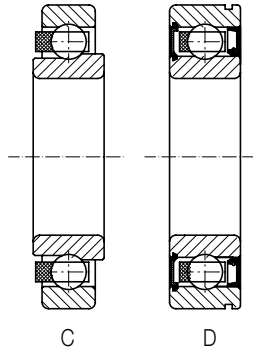
REFERENCES	d		D		B	
REFERENCIAS	mm	inch	mm	inch	mm	inch
6209	45,000	1,772	85,000	3,346	19,000	0,748
6309	45,000	1,772	100,000	3,937	25,000	0,984
6409	45,000	1,772	120,000	4,724	29,000	1,142
6010	50,000	1,969	80,000	3,150	16,000	0,630
63010	50,000	1,969	80,000	3,150	23,000	0,906
6210	50,000	1,969	90,000	3,543	20,000	0,787
6310	50,000	1,969	110,000	4,331	27,000	1,063
6410	50,000	1,969	130,000	5,118	31,000	1,220
6011	55,000	2,165	90,000	3,543	18,000	0,709
6211	55,000	2,165	100,000	3,937	21,000	0,827
6311	55,000	2,165	120,000	4,724	29,000	1,142
6411	55,000	2,165	140,000	5,512	33,000	1,299
6012	60,000	2,362	95,000	3,740	18,000	0,709
6212	60,000	2,362	110,000	4,331	22,000	0,866
6312	60,000	2,362	130,000	5,118	31,000	1,220
6412	60,000	2,362	150,000	5,906	35,000	1,378
6013	65,000	2,559	100,000	3,937	18,000	0,709
6213	65,000	2,559	120,000	4,724	23,000	0,906
6313	65,000	2,559	140,000	5,512	33,000	1,299
6413	65,000	2,559	160,000	6,299	37,000	1,457
6014	70,000	2,756	110,000	4,331	20,000	0,787
6214	70,000	2,756	125,000	4,921	24,000	0,945
6314	70,000	2,756	150,000	5,906	35,000	1,378
6414	70,000	2,756	180,000	7,087	42,000	1,654
6015	75,000	2,953	115,000	4,528	20,000	0,787
6215	75,000	2,953	130,000	5,118	25,000	0,984
6315	75,000	2,953	160,000	6,299	37,000	1,457
6016	80,000	3,150	125,000	4,921	22,000	0,866
6216	80,000	3,150	140,000	5,512	26,000	1,024
6217	85,000	3,346	150,000	5,906	28,000	1,102
6218	90,000	3,543	160,000	6,299	30,000	1,181

Exclusive for new A&S Fersa references / Espacio exclusivo para nuevas referencias de A&S Fersa

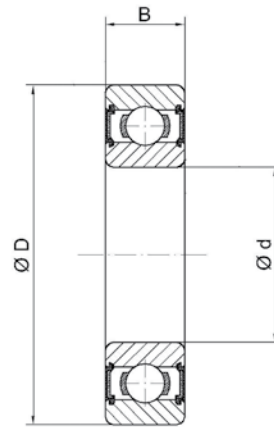


REFERENCIAS	d		D		B	
REFERENCIAS	mm	inch	mm	inch	mm	inch
F 18001	30,000	1,181	62,000	2,441	16,000	0,630
F 18002	30,000	1,181	62,000	2,441	21,000	0,827
F 18003	32,000	1,260	72,000	2,835	19,000	0,748
F 18004	35,000	1,378	72,000	2,835	17,000	0,669
F 18005	35,000	1,378	72,000	2,835	17,000	0,669
F 18006	35,000	1,378	72,000	2,835	21,000	0,827
F 18007	40,000	1,575	74,000	2,913	34,0 / 36,0	1,339 / 1,417
F 18008	40,000	1,575	80,000	3,150	34,0 / 36,0	1,339 / 1,418
F 18009	45,000	1,772	85,000	3,346	23,000	0,906
F 18010	35,000	1,378	72,000	2,835	26,000	1,024
F 18011	30,000	1,181	65,000	2,559	21,000	0,827
F 18012	46,030	1,812	73,660	2,900	15,875	0,625
F 18013	46,030	1,812	73,660	2,900	18,000	0,709
F 18014	17,000	0,669	52,000	2,047	17,000	0,669
F 18015	15,000	0,591	35,000	1,378	13,000	0,512
F 18016	30,000	1,181	80,000	3,150	20,000	0,787
F 18017	35,000	1,378	80,000	3,150	20,000	0,787
F 18018	25,000	0,984	62,020	2,442	17,500	0,689
F 18019	25,000	0,984	59,000	2,323	17,500	0,689
F 18020	17,000	0,669	62,000	2,441	17,600	0,693
F 18021	28,000	1,102	66,000	2,598	18,000	0,709
F 18022	25,000	0,984	69,000	2,717	20,000	0,787
F 18023	35,000	1,378	75,000	2,953	20,000	0,787
F 18024	25,995	1,023	68,000	2,677	19,700	0,776
F 18025	35,000	1,378	67,000	2,638	22,500	0,886
F 18026	15,000	0,591	40,000	1,575	11,000	0,433
F 18027	15,000	0,591	50,000	1,969	14,000	0,551
F 18028	106,000	4,173	140,000	5,512	21,000	0,827
F 18029	30,000	1,181	55,000	2,165	15,500	0,610
F 18030	35,000	1,378	66,000	2,598	29,0 / 14,0	1,142 / 0,551

Type / Tipo

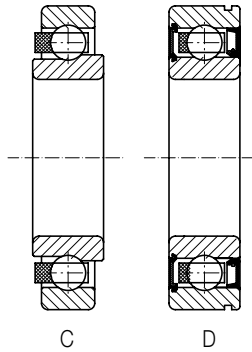


REFERENCES	SNR	SKF	FAG	KOYO	INA	NSK	NTN
REFERENCIAS							
F 18001	10N 6206 F111E	6206 - RS1 / C3R 196					
F 18002	6206 F320 C	1861373					
F 18003		6306/32 - 2RS1 / C4VB 038					
F 18004	AB 10337 / 3	6207 - RS1 / MT33 BR196					
F 18005	6207 F075	6207 - RS1 / MT33 BR 196					
F 18006	6207 E22 GY4	BB1B 417145					
F 18007				DAC - 40740036 / 34			
F 18008				DAC - 4060 M1			
F 18009	4209 A	4209 ATN9 / MT33 VB2669	4209 BT VH				
F 18010		BB1B 243209					
F 18011		BB1B 630374 / C4	543909				
F 18012							
F 18013							
F 18014							SCJ 352 CS 16
F 18015							
F 18016							
F 18017							
F 18018	AB12888-S05						
F 18019	AB41386						
F 18020						B17 - 126 DDWC3	
F 18021			566195				
F 18022	AB12516						
F 18023		440682					
F 18024			536906C				
F 18025		361984 C	527640 C				
F 18026							DO 349641
F 18027							
F 18028							
F 18029			Z 539860.07				
F 18030							



REFERENCES	d		D		B	
REFERENCIAS	mm	inch	mm	inch	mm	inch
F 18031	63,500	2,500	102,000	4,016	20,570	0,810
F 18032	50,000	1,969	90,000	3,543	20,000	0,787
F 18033	50,000	1,969	90,000	3,543	20,000	0,787
F 18034	35,000	1,378	55,000	2,165	20,000	0,787
F 18035	20,000	0,787	52,000	2,047	12,000	0,472
F 18036	85,000	3,346	150,000	5,906	28,000	1,102
F 18037	85,000	3,346	160,000	6,299	33,000	1,299
F 18038	36,487	1,436	68,000	2,677	15,000	0,591
F 18039	36,513	1,438	68,000	2,677	15,000	0,591
F 18040	63,500	2,500	100,000	3,937	23,000	0,906
F 18041	50,000	1,969	90,000	3,543	20,000	0,787
F 18042	55,000	2,165	120,000	4,724	29,000	1,142
F 18043	28,000	1,102	75,000	2,953	21,000	0,827
F 18044	30,000	1,181	65,000	2,559	21,000	0,827
F 18045	35,000	1,378	72,000	2,835	22,000	0,866

Type / Tipo



REFERENCES REFERENCIAS	SNR	SKF	FAG	KOYO	INA	NSK	NTN
F 18031				CT1310 ARSEDCS23			
F 18032	6210NRZB	6210ZNBR		6210NRZ			
F 18033							
F 18034							
F 18035							SCO 4A 47 CS 3CP X1
F 18036				6217-3BBNCS 9			
F 18037							
F 18038							
F 18039					F 45385		
F 18040					F 113021		
F 18041							
F 18042						BL 210 ZNR C3	
F 18043		BB1B 445924 C					TMB 311 X13 C3
F 18044		BB1B 630374/C4					
F 18045				DG357222DW			

05/ Angular contact ball bearings

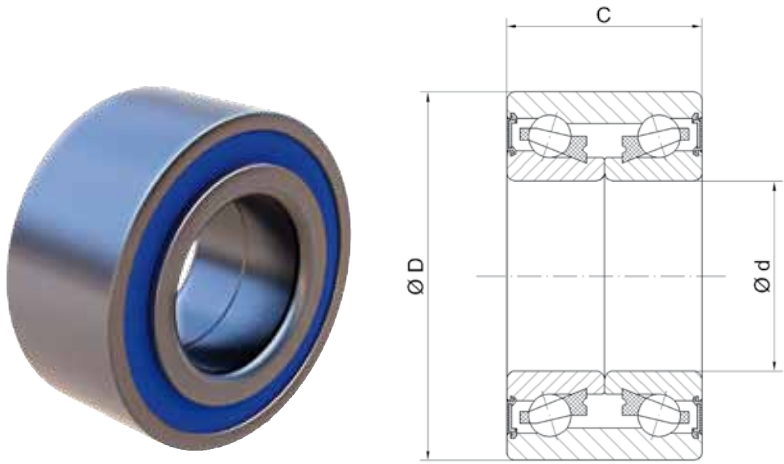
Rodamientos de bolas
de contacto angular



Angular contact ball bearings

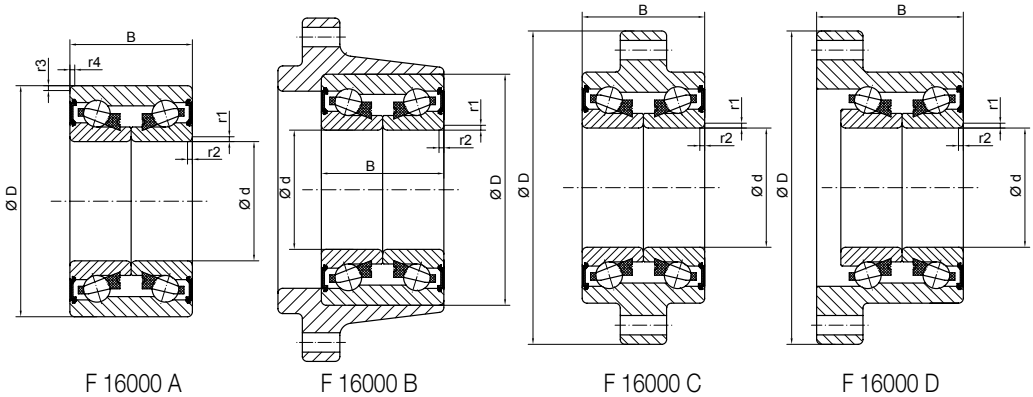
Rodamientos de bolas de contacto angular

5.1/ Double row angular contact ball bearings	
Rodamientos de bolas de doble hilera de contacto angular	68
5.2/ Four point angular contact ball bearings	
Rodamientos de bolas de contacto angular de cuatro puntos	82
5.3/ Air conditioned	
Aire acondicionado	84

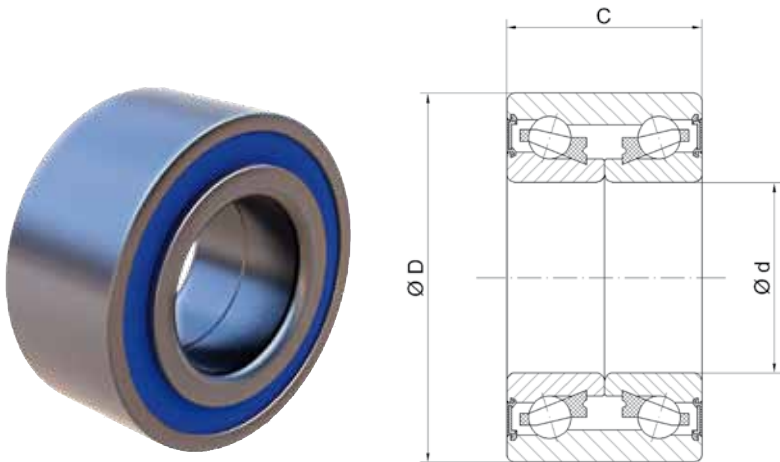


REFERENCIAS	d		D		C		TIPO
REFERENCIAS	mm	inch	mm	inch	mm	inch	
F 16001	30,000	1,181	60,000	2,362	37,000	1,457	A
F 16002	35,000	1,378	68,000	2,677	37,000	1,457	A
F 16003	----		117,000	4,606	69,200	2,724	A
F 16004	25,000	0,984	56,000	2,205	32,000	1,260	A
F 16005	25,000	0,984	132,650	5,222	74,300	2,925	D
F 16006	28,000	1,102	126,000	4,961	70,500	2,776	D
F 16007	25,000	0,984	133,000	5,236	77,500	3,051	D
F 16008	28,000	1,102	134,000	5,276	61,000	2,402	D
F 16009	30,000	1,181	63,000	2,480	42,000	1,654	A
F 16010	30,000	1,181	117,000	4,606	60,600	2,386	B
F 16011	30,000	1,181	120,000	4,724	63,500	2,500	D
F 16012	----		136,000	5,354	90,000	3,543	D
F 16013	30,000	1,181	120,000	4,724	69,000	2,717	D
F 16014	30,000	1,181	140,000	5,512	72,000	2,835	D
F 16015	31,000	1,220	120,000	4,724	61,000	2,402	D
F 16016	32,000	1,260	129,000	5,079	59,400	2,339	D
F 16017	32,000	1,260	128,000	5,039	58,200	2,291	D
F 16018	34,000	1,339	62,000	2,441	37,000	1,457	A
F 16019	34,000	1,339	64,000	2,520	37,000	1,457	A
F 16020	34,000	1,339	66,000	2,598	37,000	1,457	A
F 16021	35,000	1,378	65,000	2,559	35,000	1,378	A
F 16022	35,000	1,378	66,000	2,598	32,000	1,260	A
F 16023	35,000	1,378	66,000	2,598	37,000	1,457	A
F 16024	35,000	1,378	68,000	2,677	37,000	1,457	A
F 16025	35,000	1,378	72,000	2,835	28,000	1,102	A
F 16026	35,000	1,378	72,000	2,835	33,000	1,299	A
F 16027	35,000	1,378	72,000	2,835	33,000	1,299	A
F 16028	35,000	1,378	136,000	5,354	74,000	2,913	D
F 16029	37,000	1,457	72,000	2,835	33,000	1,299	A
F 16030	37,000	1,457	72,000	2,835	37,000	1,457	A

Type / Tipo

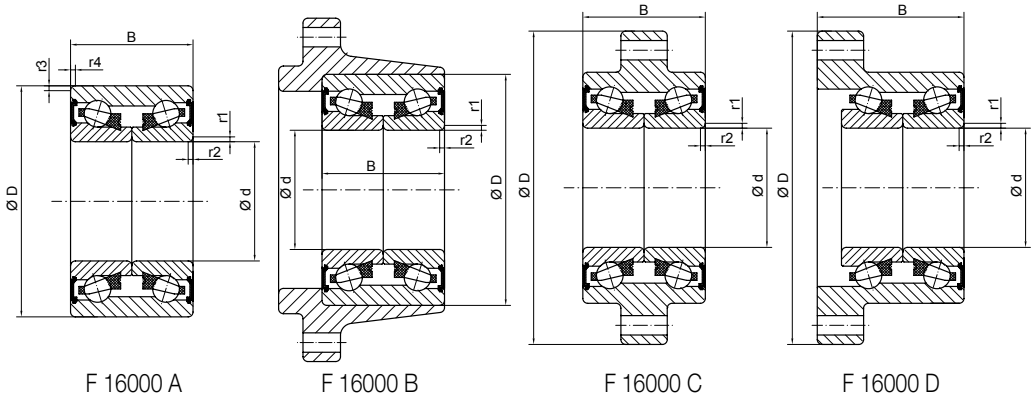


REFERENCES	SKF	FAG	KOYO	IRB	SNR	NSK
REFERENCIAS						
F 16001	BA2B 633313 C	545312		IR 8040	GB 10790 S05	
F 16002	BAH 0031	567918		IR 8026	GB 10840 S04	
F 16003	BA2B 633292 AA					
F 16004	BAH 5000 AA					
F 16005					TGB 12095 S44	
F 16006			DACF 1050B			
F 16007					TGB 12095 S45	
F 16008					TGB 35277	
F 16009			DAC 306342AWCS32			
F 16010	BAF-0013 AD			IR 8505	TGB 40490	
F 16011	BAF-4104 BBX					
F 16012	BAFB 446912 AE					
F 16013	BAFB 446912 AE					
F 16014			DACF 1086			
F 16015	BAFB 309971 AC / BAFB 309981 AA					
F 16016					TGB 40175 S05	
F 16017	BAFB 444450 AAC					
F 16018	BAHB 311316 B	561447		IR 8051		
F 16019	309726 DA			IR 8041	GB 10884	
F 16020	BAHB 636114 A	580400		IR 8622		
F 16021		546238		IR 8042		
F 16022	BAH 5001 A			IR 8091		
F 16023	BAH 0023	544307		IR 8065	GB 12136	
F 16024	BAH 0031 D	541153 A				
F 16025	BA2B 441832 AB				Y44GB 10679 S02	
F 16026	BA2B 446762 B	548083		IR 8055	GB 12094 S10	
F 16027	BAH 0013 D					
F 16028	BAFB 447312 A					
F 16029	BAH 0051 B			IR 8740	GB 40547	
F 16030	BAH 0094			IR 8066	GB 40706	

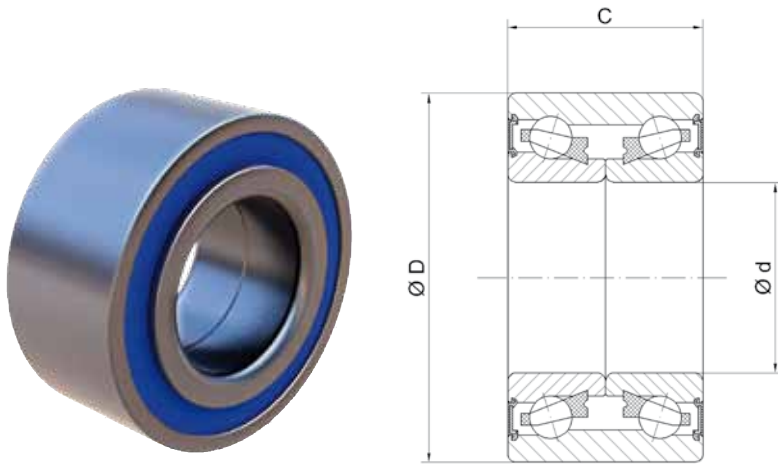


REFERENCIAS	d		D		C		TIPO
REFERENCIAS	mm	inch	mm	inch	mm	inch	
F 16031	37,000	1,457	72,040	2,836	37,000	1,457	A
F 16032	37,000	1,457	74,000	2,913	45,000	1,772	A
F 16033	37,000	1,457	139,000	5,472	64,500	2,539	B
F 16034	37,990	1,496	74,020	2,914	36,000	1,417	A
F 16035	39,000	1,535	68,000	2,677	37,000	1,457	A
F 16036	39,000	1,535	72,000	2,835	37,000	1,457	A
F 16037	39,000	1,535	74,000	2,913	39,000	1,535	A
F 16038	39,000	1,535	75,000	2,953	37,000	1,457	A
F 16039	40,000	1,575	72,000	2,835	37,000	1,457	A
F 16040	40,000	1,575	74,000	2,913	40,000	1,575	A
F 16041	40,000	1,575	76,040	2,994	38,000/41,000	1,496 / 1,514	A
F 16042	40,000	1,575	80,000	3,150	30,200	1,189	A
F 16043	40,000	1,575	80,000	3,150	38,000	1,496	A
F 16044	39,980	1,574	108,000	4,252	32,000	1,260	C
F 16045	42,000	1,654	75,000	2,953	37,000	1,457	A
F 16046	42,000	1,654	75,000	2,953	37,000	1,457	A
F 16048	42,000	1,654	82,000	3,228	36,000	1,417	A
F 16049	42,000	1,654	84,000	3,307	34,000	1,339	A
F 16050	42,000	1,654	84,000	3,307	36,400	1,433	A
F 16051	42,000	1,654	84,030	3,308	39,200	1,543	A
F 16052	43,000	1,693	79,000	3,110	41,000	1,614	A
F 16053	43,000	1,693	79,000	3,110	40,900	1,610	A
F 16054	43,000	1,693	82,000	3,228	37,000	1,457	A
F 16055	40,000	1,575	75,000	2,953	37,000	1,457	A
F 16056	44,000	1,732	82,500	3,248	37,000	1,457	A
F 16057	38,100	1,500	70,000	2,756	36,900	1,453	A
F 16058	38,000	1,496	74,000	2,913	50,000	1,969	A
F 16059	45,000	1,772	84,000	3,307	38,900	1,531	A

Type / Tipo

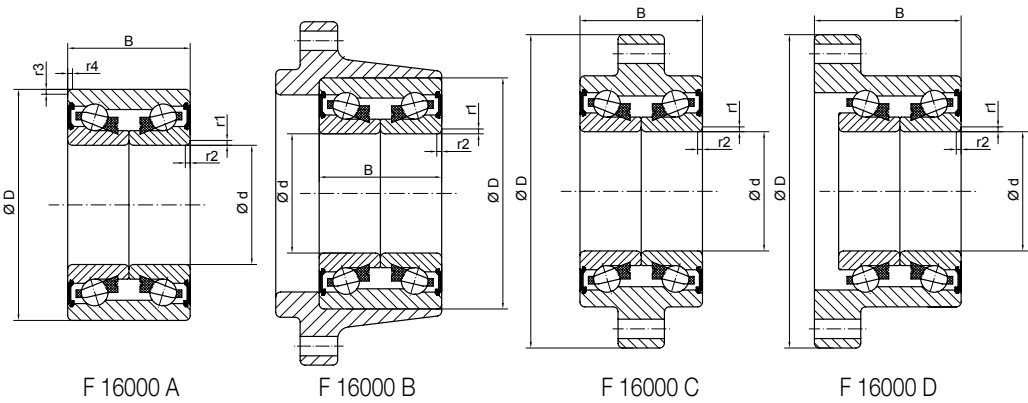


REFERENCES	SKF	FAG	KOYO	IRB	SNR	NSK
REFERENCIAS						
F 16031	BAH 0012 AD	562398 A		IR 8088	GB 12131 S03	
F 16032	309946 AC	541521 C		IR 8513		
F 16033	BAFB 447318 B			IR 8591		
F 16034	BAH 0041 D	574795A		IR 8655		
F 16035	BAHB 311315 BD	540733		IR 8052		
F 16036	BA2B 309639 BA / BAHB 311396 B	542186 A		IR 8085	GB 41599 / GB 12776	
F 16037	BAHB 636096 A	579557		IR 8603		
F 16038	BAHB 633815 AA	567447 B		IR 8530	GB 12399S01	
F 16039	BAHB 311443 B	566719		IR 8095	GB 12320S02	
F 16040	BAH 0049 C	801136		IR 8668		
F 16041				IR 8583		40BWD05CA60
F 16042		565636		IR 8006	Y44FB.10394 S02	
F 16043					GB 10800	
F 16044				IR 8048	TGB 10872 S02	
F 16045	BAHB 311424 B				GB 12010	
F 16046		545495		IR 8509		
F 16048	BAH 0171	561481		IR 8086	GB 12163 S04	
F 16049					Y44GB 10667	
F 16050					GB 10857S02	
F 16051	BAH 0177	543359 B		IR 8101	GB 40549 / GB 10702 S03	
F 16052					XGB 41999	43BWD08CA103
F 16053					XGB 41999	
F 16054	BAH 0011 AB			IR 8737		
F 16055	BAHB 633966 BB			IR 8593		
F 16056	BAH 0174			IR 8618	GB 40246	
F 16057	BAHB 636193 C	805921				
F 16058						38BWD06D-A- CA-01
F 16059	BAHB 636149 BC / BAHB 636149 D					

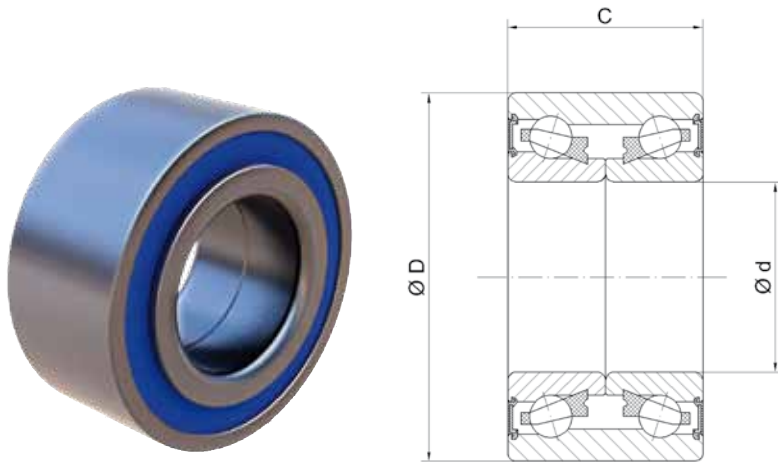


REFERENCES	d		D		C		TIPO
REFERENCIAS	mm	inch	mm	inch	mm	inch	
F 16060	31,000	1,220	120,000	4,724	60,900	2,398	D
F 16061	25,000	0,984	132,650	5,222	74,300	2,925	D
F 16062	30,000	1,181	117,000	4,606	60,600	2,386	D
F 16063	45,000	1,772	85,000	3,346	30,200	1,189	A
F 16064	35,000	1,378	55,000	2,165	20,000	0,787	D
F 16065	30,000	1,181	120,000	4,724	63,500	2,500	D
F 16066	40,000	1,575	84,000	3,307	38,000	1,496	A
F 16067	----		119,000	4,685	84,200	3,315	D
F 16068	38,000	1,496	72,020	2,835	36,000	1,417	A
F 16069	----		119,000	4,685	85,500	3,366	D
F 16070	----		137,000	5,394	85,000	3,346	D
F 16071	30,000	1,181	67,000	2,638	31,000	1,220	A
F 16072	----		117,000	4,606	82,000	3,228	D
F 16073	----		136,000	5,354	107,000	4,213	D
F 16074	42,000	1,654	80,030	3,151	42,000	1,654	A
F 16075	35,000	1,378	80,000	3,150	42,000	1,654	A
F 16076	51,000	2,008	91,000	3,583	44,000	1,732	A
F 16077	28,000	1,102	61,000	2,402	42,000	1,654	A
F 16078	43,000	1,693	82,000	3,228	45,000	1,772	A
F 16079	40,000	1,575	74,000	2,913	42,000	1,654	A
F 16080	40,000	1,575	74,000	2,913	36,000	1,417	A
F 16081	42,000	1,654	76,000	2,992	39,000	1,535	A
F 16082	45,000	1,772	84,000	3,307	39,000	1,535	A
F 16083	34,000	1,339	67,000	2,638	37,000	1,457	A
F 16084	44,990	1,771	84,070	3,310	39,000	1,535	A
F 16085	45,000	1,772	80,000	3,150	45,000	1,772	A
F 16086	43,000	1,693	80,000	3,150	37,900	1,492	A
F 16087	40,000	1,575	72,000	2,835	37,000	1,457	A
F 16088	42,000	1,654	80,000	3,150	45,000	1,772	A
F 16089	40,000	1,575	74,000	2,913	40,000	1,575	A

Type / Tipo

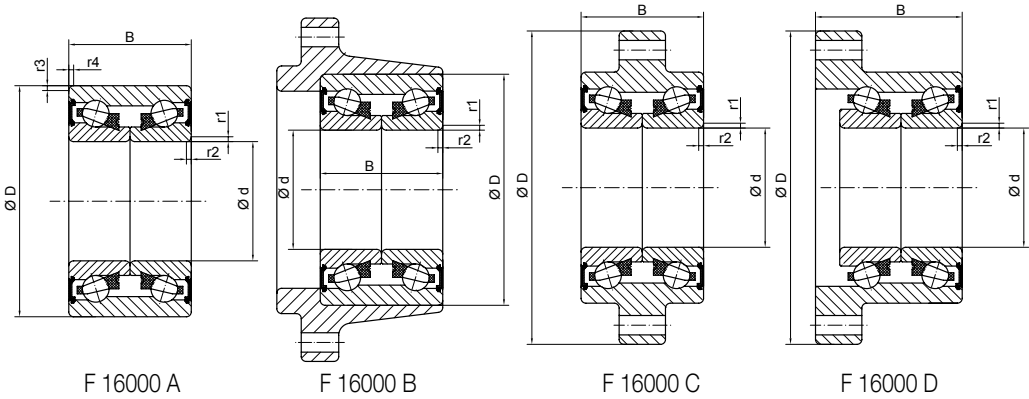


REFERENCES	SKF	FAG	KOYO	IRB	SNR	NSK
REFERENCIAS						
F 16060	BAFB 309971 AC / BAFB 309981 AA					
F 16061					TGB 12095 S46	
F 16062	BAFB 633622 E					
F 16063				IR 8597		
F 16064	BAF 4104 A					
F 16065						
F 16066					GB 40250 S01	
F 16067	BAR-0048					
F 16068			DAC 3872W-8CS81			
F 16069	BAR-0049 E					
F 16070	BAR-0050 AC					
F 16071	BA2D 633293 A					
F 16072	BAR-0045 B					
F 16073	BAR-0045 B					
F 16074	BA2B 309609 AD			IR 8515		
F 16075						
F 16076			DAC 50900034			
F 16077			DAC 286142 AW			
F 16078			DAC 43820045			43 BWD 06
F 16079			DAC 40740042 B			40 BWD 12
F 16080			DAC 40440036			40 BWD 15 A
F 16081				IR 8650		40 BWD 06
F 16082						
F 16083		803775				
F 16084		547103 E				
F 16085						42BWD06CA98
F 16086		803775				
F 16087		564725 AB				
F 16088	BAH 0028 AA	579943 B			GB 35457	
F 16089	BAH 0049					

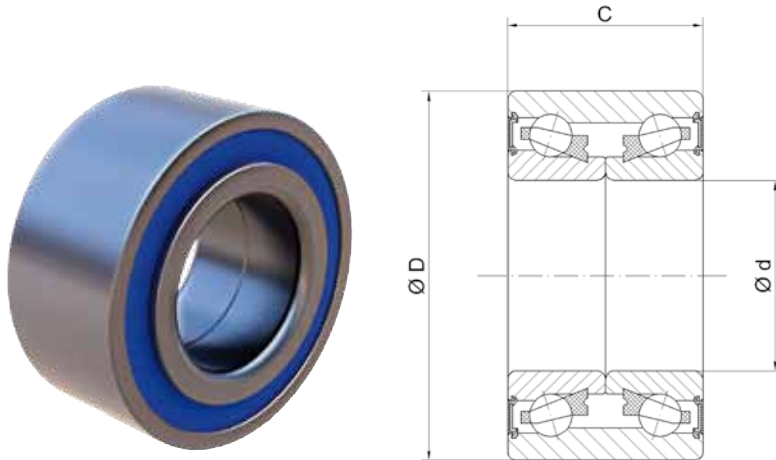


REFERENCIAS	d		D		C		TIPO
REFERENCIAS	mm	inch	mm	inch	mm	inch	
F 16090	40,000	1,575	80,000	3,150	35,900	1,413	A
F 16091	40,000	1,575	74,000	2,913	34,000/36,000	1,338 / 1,417	A
F 16092	50,000	1,969	90,000	3,543	40,000	1,575	A
F 16093	35,000	1,378	66,000	2,598	33,000	1,299	A
F 16094	27,000	1,063	134,000	5,276	67,500	2,657	A
F 16095	28,000	1,102	118,000	4,646	51,500	2,028	A
F 16106	40,000	1,575	72,000	2,835	37,000	1,457	A
F 16107	42,000	1,654	80,000	3,150	37,000	1,457	A
F 16108	40,000	1,575	84,000	3,307	39,000	1,535	A
F 16109	49,000	1,929	88,000	3,465	46,000	1,811	A
F 16110	39,000	1,535	72,000	2,835	37,000	1,457	A
F 16111	36,976	1,456	72,000	2,835	37,000	1,457	A
F 16112	35,000	1,378	66,000	2,598	33,000	1,299	A
F 16113	42,000	1,654	82,000	3,228	36,000	1,417	A
F 16114	49,000	1,929	88,000	3,465	46,000	1,811	A
F 16115	36,000	1,417	68,000	2,677	33,000	1,299	A
F 16116	40,000	1,575	75,000	2,953	37,000	1,457	A
F 16117	38,000	1,496	73,000	2,874	40,000	1,575	A
F 16118	43,000	1,693	85,000	3,346	37,000	1,457	A
F 16119	43,000	1,693	82,000	3,228	45,000	1,772	A
F 16120	38,000	1,496	71,000	2,795	32,900	1,295	A
F 16121	45,000	1,772	88,000	3,465	39,000	1,535	A
F 16122	45,000	1,772	84,000	3,307	39,100	1,539	A
F 16123	45,000	1,772	86,000	3,386	39,000	1,535	A
F 16124	38,000	1,496	72,000	2,835	40,000	1,575	A
F 16125	35,000	1,378	68,000	2,677	38,900	1,531	A
F 16126	40,000	1,575	75,000	2,953	37,000	1,457	A
F 16127	45,000	1,772	88,000	3,465	39,000	1,535	A
F 16128	45,000	1,772	86,000	3,386	39,000	1,535	A
F 16129	25,000	0,984	52,000	2,047	42,000	1,654	A

Type / Tipo

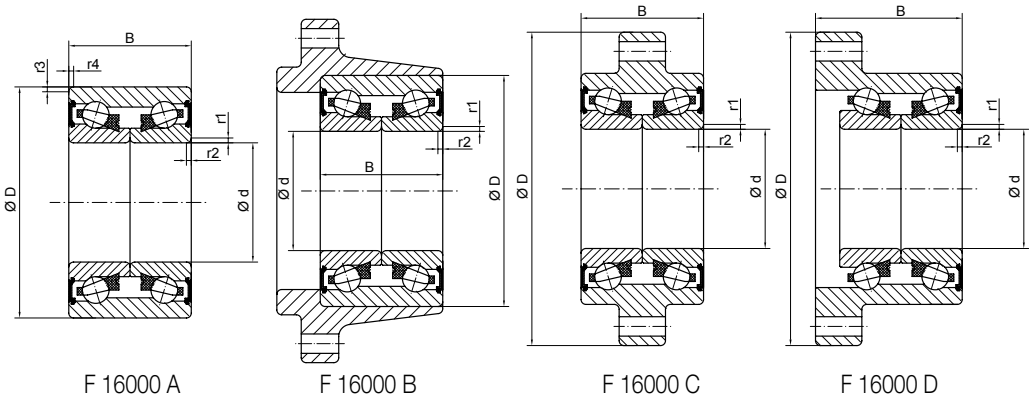


REFERENCES	SKF	FAG	KOYO	IRB	SNR	NSK
REFERENCIAS						
F 16090	BAHB 636187 A					
F 16091						
F 16092			DAC 4074CWCS73			
F 16093	BAH 0015 E				GB 12306S02	
F 16094						27 BWK 04D3
F 16095						28 BWK 12
F 16106	BAH 0168					
F 16107	BAH 0004 AA				GB 12955S04	
F 16108					XGB 40492 S01 P	
F 16109					GB 40279S01	49BWD01BCA116**
F 16110	BAH 0106 D				XGB 35447	
F 16111	BAH 0055 AAX				XGB 40706R00	
F 16112					XGB 12306 S02	
F 16113	BA2B 446047 AAD				XGB 40574P	
F 16114					GB 40279 S01	
F 16115			DAC 3668AWCS36			
F 16116	BAH 0086					
F 16117						
F 16118	BAHB 636214 A					
F 16119	BAH 0032					
F 16120			DAC 3871W-1CS74			
F 16121					GB 40300	
F 16122					GB 40666 S01	
F 16123					GB 40575 S02	
F 16124					GB 35275	
F 16125	BAH 0039					
F 16126	BAH 0068 D					
F 16127					XGB 41166	
F 16128					XGB 40575 S02 P	
F 16129					GB 35098	

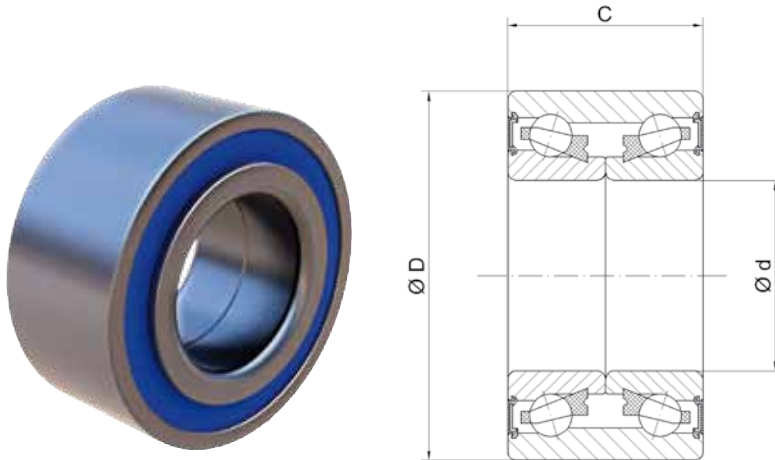


REFERENCIAS	d		D		C		TIPO
REFERENCIAS	mm	inch	mm	inch	mm	inch	
F 16130	35,000	1,378	61,800	2,433	40,000	1,575	A
F 16131	35,000	1,378	72,000	2,835	33,000	1,299	A
F 16132	45,000	1,772	85,000	3,346	41,000	1,614	A
F 16133	37,000	1,457	72,000	2,835	37,000	1,457	A
F 16134	28,000	1,102	61,000	2,402	42,000	1,654	A
F 16135	37,000	1,457	72,000	2,835	33,000	1,299	A
F 16136	32,000	1,260	128,000	5,039	58,500	2,303	D
F 16137	30,000	1,181	117,000	4,606	60,800	2,394	D
F 16138	25,000	0,984	128,000	5,039	64,000	2,520	D
F 16139	35,000	1,378	136,000	5,354	70,000	2,756	D
F 16140	35,000	1,378	136,000	5,354	72,300	2,846	D
F 16141	----		136,000	5,354	107,500	4,232	D
F 16142	30,000	1,181	122,000	4,803	69,300	2,728	D
F 16143	33,000	1,299	140,000	5,512	79,000	3,110	D
F 16144	43,000	1,693	119,000	4,685	43,800	1,724	D
F 16145	28,000	1,102	139,000	5,472	65,000	2,559	D
F 16146	28,000	1,102	139,000	5,472	65,000	2,559	D
F 16147	30,000	1,181	122,000	4,803	69,300	2,728	D
F 16148	30,000	1,181	136,000	5,354	71,300	2,807	D
F 16149	----		136,000	5,354	123,000	4,843	D
F 16150	30,000	1,181	120,000	4,724	70,000	2,756	D
F 16151	30,000	1,181	117,000	4,606	61,000	2,402	D
F 16152	----		139,000	5,472	83,000	3,268	D
F 16153	45,000	1,772	124,000	4,882	41,000	1,614	D
F 16154	30,000	1,181	140,000	5,512	72,000	2,835	D
F 16155	25,000	0,984	133,000	5,236	77,300	3,043	D
F 16156	25,000	0,984	133,000	5,236	77,300	3,043	D
F 16157	25,000	0,984	133,000	5,236	80,000	3,150	D
F 16158	----		137,000	5,394	84,000	3,307	D
F 16159	----		136,000	5,354	82,000	3,228	D

Type / Tipo

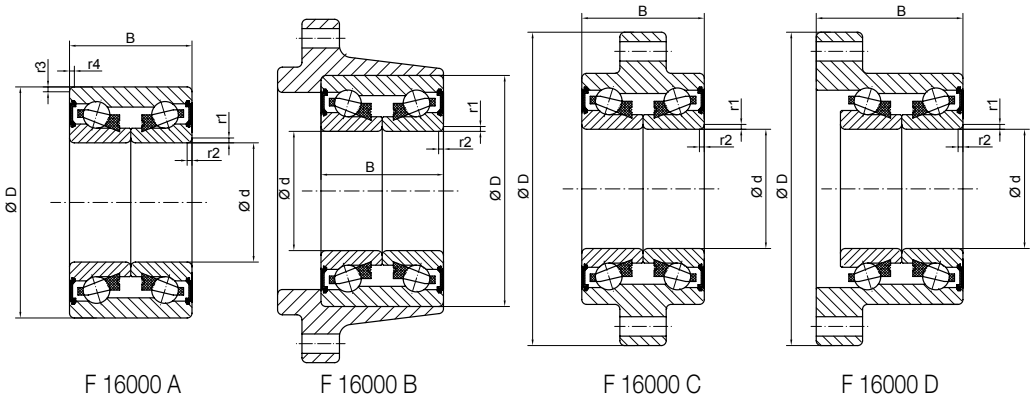


REFERENCES	SKF	FAG	KOYO	IRB	SNR	NSK
REFERENCIAS						
F 16130					GB 35238	
F 16131	BAH 0053 ADX				XGB 40714P	
F 16132		580191 D				
F 16133					XGB 41140 P	
F 16134			DAC 286142AWCS40			
F 16135	BAH 0072 D				XGB 40547S01P	
F 16136	BAFB 446451 DD					
F 16137	BAFB 633807 D					
F 16138	BAFB 447302 BB				TGB 40540S05	
F 16139	BAF-4039 B					
F 16140	BAF-4040 C					
F 16141	BARB 636078 C					
F 16142			DACF 1041 CCS5			
F 16143			DACF 1034AR-1			
F 16144						43BWK03D-Y-2CA20
F 16145						
F 16146						
F 16147					TGB 35260	
F 16148	BAF-0037 D					
F 16149	BAR-0029 D					
F 16150					TGB 40189 S05	
F 16151	BAF-0011					
F 16152		801106 DA				
F 16153			2DACF045N-6SH2			
F 16154	BAF-4093 AA					
F 16155					TGB 12096 S46	
F 16156					TGB 12095 S48	
F 16157					TGB 12095 S49	
F 16158	BAR-0053 C					
F 16159		574566 CE				

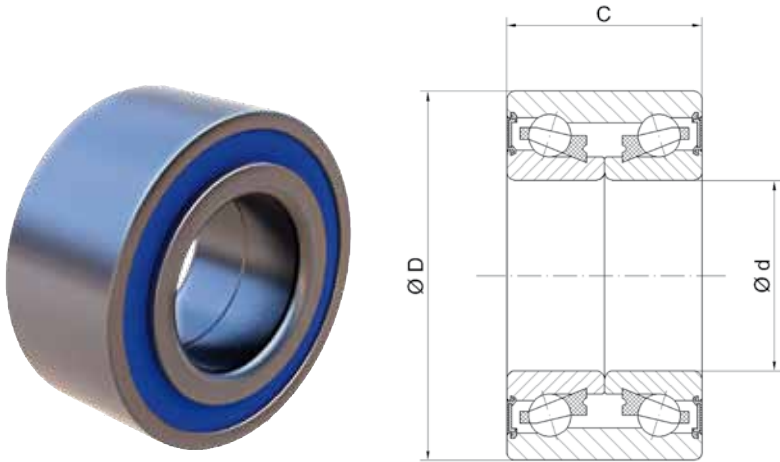


REFERENCIAS	d		D		C		TIPO
REFERENCIAS	mm	inch	mm	inch	mm	inch	
F 16160	43,000	1,693	127,000	5,000	40,300	1,587	D
F 16161	30,000	1,181	117,000	4,606	61,800	2,433	D
F 16162	----		140,000	5,512	107,000	4,213	D
F 16163	25,000	0,984	133,000	5,236	73,500	2,894	D
F 16164	30,000	1,181	136,000	5,354	66,000	2,598	D
F 16165	27,000	1,063	134,000	5,276	60,000	2,362	D
F 16166	29,000	1,142	136,000	5,354	75,500	2,972	D
F 16167	25,000	0,984	128,000	5,039	59,000	2,323	D
F 16168	----		131,000	5,157	128,000	5,039	D
F 16169	----		140,000	5,512	107,700	4,240	D
F 16170	28,000	1,102	120,000	4,724	61,400	2,417	D
F 16171	----		118,000	4,646	81,000	3,189	D
F 16172	28,000	1,102	120,000	4,724	63,100	2,484	D
F 16173	----		126,000	4,961	83,000	3,268	D
F 16174	25,000	0,984	129,000	5,079	58,900	2,319	D
F 16175	30,000	1,181	120,000	4,724	69,000	2,717	D
F 16176	37,000	1,457	143,000	5,630	64,400	2,535	D
F 16177	26,000	1,024	128,000	5,039	71,500	2,815	D
F 16178	----		131,000	5,157	91,600	3,606	D
F 16179	----		136,000	5,354	88,000	3,465	D
F 16180	----		136,000	5,354	112,000	4,409	D
F 16181	----		140,000	5,512	112,000	4,409	D
F 16182	----		137,000	5,394	84,000	3,307	D
F 16183	----		119,000	4,685	84,000	3,307	D
F 16184	----		137,000	5,394	85,000	3,346	D
F 16185	34,000	1,339	139,000	5,472	73,000	2,874	D
F 16186	27,000	1,063	123,000	4,843	75,000	2,953	D
F 16187	----		137,000	5,394	85,000	3,346	D

Type / Tipo

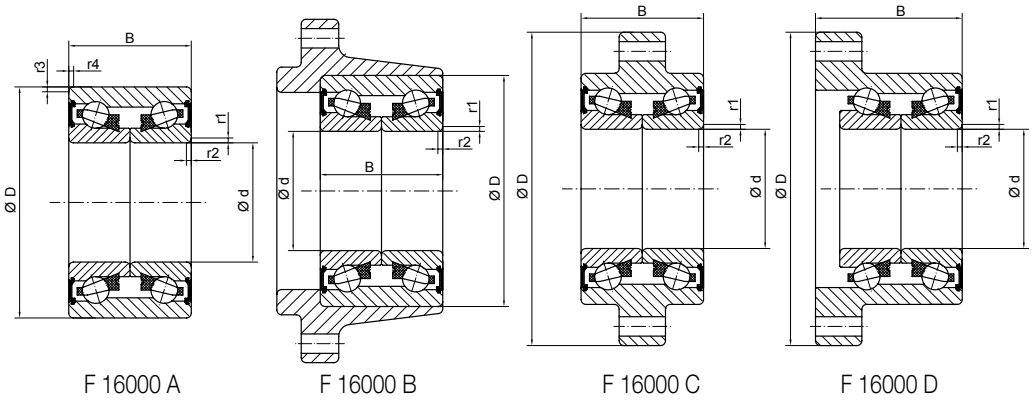


REFERENCES	SKF	FAG	KOYO	IRB	SNR	NSK
REFERENCIAS						
F 16160	BAF-0125 A				BGB 40536 R02	
F 16161	BAF-0040 B				XTGB 40490 P	
F 16162	BAR-0042 AB					
F 16163					TGB 12095 S44	
F 16164			DACF 1015		TGB 35276	
F 16165	BAFB 447332 CC				TGB 35124	
F 16166		574566 BEH93CAM28HM46				
F 16167	BAF-4109 C				TGB 40540 S02	
F 16168		801344 AA				
F 16169	BAR-0066 C					
F 16170	BAF-0058					
F 16171		803631 BC				
F 16172			2DACF028G-6R			
F 16173					XMGB 40899	
F 16174	BAF 0068 D				XTGB 40540 S08 P	
F 16175					XTGB 40189 S06 P	
F 16176			2DACF037 G			
F 16177	BAF-4110 AB				TGB 40540S04	
F 16178		805546 A				
F 16179	BAR-0078 AA					
F 16180	BAR-0108 D					
F 16181	BAR-0094 D					
F 16182	BAR-0106 B					
F 16183	BAR-0112 C					
F 16184		805588 B				
F 16185	BAR-0084 D					
F 16186			2DACF027G-1A			
F 16187		805150 EC				

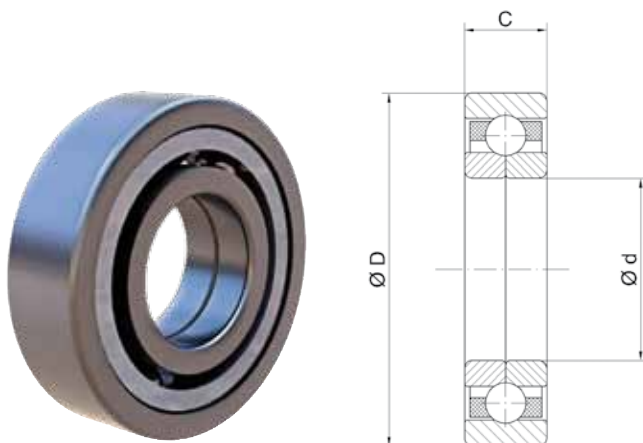


REFERENCES	d		D		C		TIPO
REFERENCIAS	mm	inch	mm	inch	mm	inch	
F 16188	29,000	1,142	136,000	5,354	75,500	2,972	D
F 16191	40,000	1,575	72,000	2,835	35,900	1,413	A
F 16192	---		136,000	5,354	92,000	3,622	D
F16195	42,000	1,654	76,000	2,992	37,000 / 40,000	1,456 / 1,574	A
F16196	43,000	1,693	76,000	2,992	43,000	1,693	A
F16197	42,000	1,654	76,000	2,992	33,000	1,299	A
F16198	40,000	1,575	76,000	2,992	33,000	1,299	A
F16199	47,000	1,850	81,000	3,189	53,000	2,087	A
F16200	35,000	1,378	64,000	2,520	37,000	1,457	A

Type / Tipo

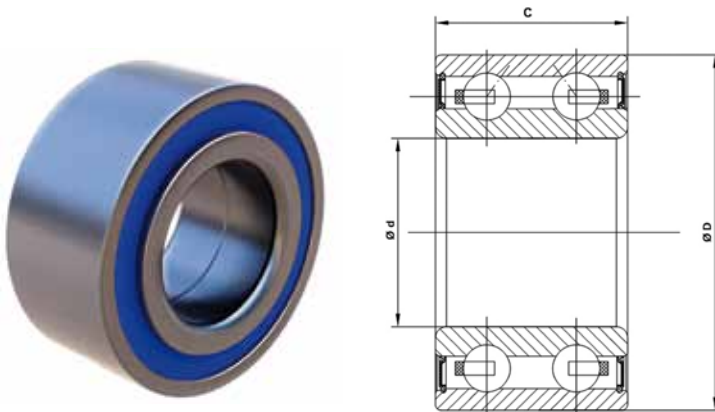


REFERENCES	SKF	FAG	KOYO	IRB	SNR	NSK
REFERENCIAS						
F 16188						
F 16191					GB 40037	
F 16192			3DACF026F-1A			
F16195	BAHB309796A	547059	DAC4276W			
F16196						43 BWD 12A-JB-5C01
F16197						
F16198						
F16199			DAC4781W			
F16200	BAH 0042		DAC3564A1			

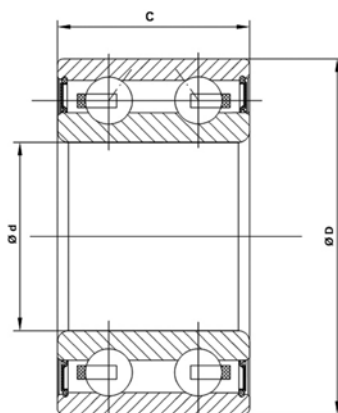
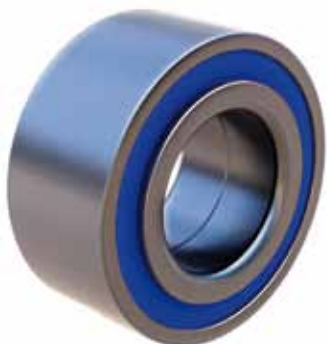


REFERENCES	d		D		T	
REFERENCIAS	mm	inch	mm	inch	mm	inch
QJ 208 FM	40,000	1,575	80,000	3,150	18,000	0,709
QJ 208 FM / C3	40,000	1,575	80,000	3,150	18,000	0,709
QJ 209 FM	45,000	1,772	85,000	3,346	19,000	0,748
QJ 209 FM / C3	45,000	1,772	85,000	3,346	19,000	0,748
QJ 211 FM	55,000	2,165	100,000	3,937	21,000	0,827
QJ 211 FM / C3	55,000	2,165	100,000	3,937	21,000	0,827
QJ 212 FM	60,000	2,362	110,000	4,331	22,000	0,866
QJ 212 FM / C3	60,000	2,362	110,000	4,331	22,000	0,866
QJ 309 FM	45,000	1,772	100,000	3,937	25,000	0,984
QJ 309 FM / C3	45,000	1,772	100,000	3,937	25,000	0,984

Exclusive for new A&S Fersa references / Espacio exclusivo para nuevas referencias de A&S Fersa



REFERENCES	d		D		T	
REFERENCIAS	mm	inch	mm	inch	mm	inch
F 16097	30,000	1,181	52,000	2,047	22,000	0,866
F 16098	30,000	1,181	55,000	2,165	23,000	0,906
F 16099	35,000	1,378	50,000	1,969	20,000	0,787
F 16100	35,000	1,378	55,000	2,165	20,000	0,787
F 16101	35,000	1,378	52,000	2,047	22,000	0,866
F 16102	40,000	1,575	62,000	2,441	24,000	0,945
F 16103	40,000	1,575	62,000	2,441	20,625	0,812
F 16104	30,000	1,181	62,000	2,441	27,000	1,063
F 16189	40,000	1,575	57,000	2,244	24,000	0,945
F 16190	40,000	1,575	62,000	2,441	24,000 / 20,600	0,945/0,812



REFERENCES	NACHI	NSK	KOYO	NTN
REFERENCIAS				
F 16097	30 BG 05S 2G - 2DS	30 BD 5222 FX	DAC 3052- 32 RR9 DS 10Z	
F 16098	30 BG 05S 5G - 2DS	30 BD 40 A - T1Z DDF1	30 BG 05 S5G - 2DST2	
F 16099	35 BG 05S 7G - 2DS	35 BD 5020 DUK		
F 16100	35 BG 05S 10G - 2DL	35 BD 219T - 1Z DDU K8	DAC 3555 RD 3H - 83 A 694	30 BG 04 S15G - 2DST
F 16101	35 BG 52 22 - 2DS	35 BD 52 22 DF X7		
F 16102	40 BG S1 1G - 2DS	DF 0865	83 A 5518	40 BD 219T 12 DDU
F 16103	40 BG 620 20 - 2DL	40 BD 49V		
F 16104	30 BG S 12G - 2DS		BD 30 - 11 A	5206 #37
F 16189	40 BG 05S 2G - 2DS	40 BD 45 T12 DDU	40 BD 45 T12	2TS2 - DF 0882 LL BCS
F 16190	40 BG S 12G - 2DS	40 BD 49 AWT12 DDU	40 BD 49 AW	5908 - 2RSWE

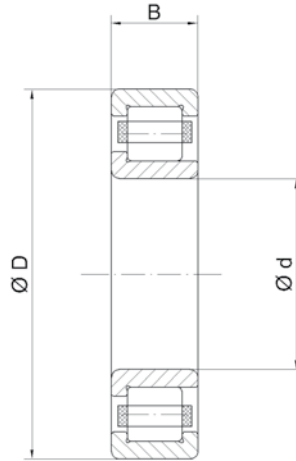
06/ Cylindrical roller bearings Rodamientos cilíndricos



Cylindrical roller bearings

Rodamientos cilíndricos

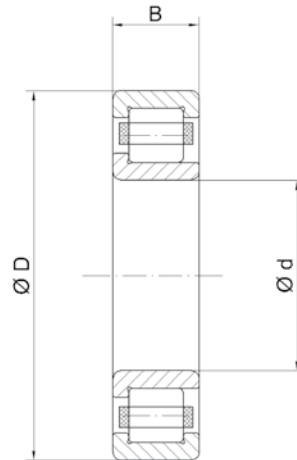
6.1/ Standard cylindrical bearings	
Rodamientos cilíndricos estándar	88
6.2/ Special cylindrical bearings	
Rodamientos cilíndricos especiales	90



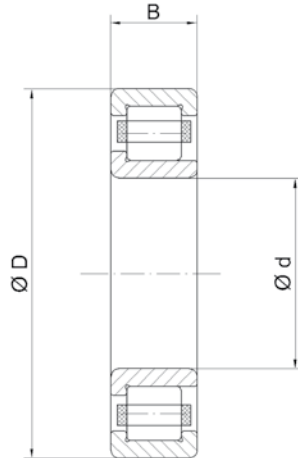
REFERENCES	d		D		B	
REFERENCIAS	mm	inch	mm	inch	mm	inch
NU 202 FM/C3	15,000	0,591	35,000	1,378	11,000	0,433
NUP 304 FM/C3	20,000	0,787	52,000	2,047	15,000	0,591
NJ 2205 FM/C3	25,000	0,984	52,000	2,047	18,000	0,709
NJ 305 F	25,000	0,984	62,000	2,441	17,000	0,669
NJ 405 F	25,000	0,984	80,000	3,150	21,000	0,827
NUP 2205 FM	25,000	0,984	52,000	2,047	18,000	0,709
N 206 FM	30,000	1,181	62,000	2,441	16,000	0,630
NJ 306 FM	30,000	1,181	72,000	2,835	19,000	0,748
NJ 406 FM/C3	30,000	1,181	90,000	3,543	23,000	0,906
NU 206 FM	30,000	1,181	62,000	2,441	16,000	0,630
NU 2306 FM/C3	30,000	1,181	79,000	3,110	19,000	0,748
NUP 206 FM	30,000	1,181	62,000	2,441	16,000	0,630
N 307 FM	35,000	1,378	80,000	3,150	21,000	0,827
NU 2207 FM	35,000	1,378	72,000	2,835	23,000	0,906
NU 2307 FM/C3	35,000	1,378	80,000	3,150	31,000	1,220
NJ 308 FM	40,000	1,575	90,000	3,543	23,000	0,906
NU 1008 FM	40,000	1,575	68,000	2,677	15,000	0,591
NU 208 FMN	40,000	1,575	80,000	3,150	18,000	0,709
NU 208 FMN/C3	40,000	1,575	80,000	3,150	18,000	0,709
NU 308 FM	40,000	1,575	90,000	3,543	23,000	0,906
NUP 308 FM	40,000	1,575	90,000	3,543	23,000	0,906
NUP 308 FM/C3	40,000	1,575	90,000	3,543	23,000	0,906
NUP 308 FMNR/C3	40,000	1,575	90,000	3,543	23,000	0,906
NJ 309 FM	45,000	1,772	100,000	3,937	25,000	0,984
NU 209 FM	45,000	1,772	85,000	3,346	19,000	0,748
NU 209 FMN	45,000	1,772	85,000	3,346	19,000	0,748
NU 209 FMN/C3	45,000	1,772	85,000	3,346	19,000	0,748
NU 309 FM	45,000	1,772	100,000	3,937	25,000	0,984
NU 309 FMN	45,000	1,772	100,000	3,937	25,000	0,984
NU 309 FMNR/C3	45,000	1,772	100,000	3,937	25,000	0,984

- M: Machined bras cage / Jaula de latón
 N: Snap ring Groove on outer ring / Ranura en el aro exterior
 NR: Snap ring groove and snap ring in outer ring / Ranura y anillo elástico en aro exterior
 C3: Internal clearance greater than normal / Juego radial mayor que el normal

REFERENCIAS	d		D		B	
REFERENCIAS	mm	inch	mm	inch	mm	inch
NUP 209 FM	45,000	1,772	85,000	3,346	19,000	0,748
NUP 309 FM	45,000	1,772	100,000	3,937	25,000	0,984
NUP 309 FM/C3	45,000	1,772	100,000	3,937	25,000	0,984
NUP 309 FMN	45,000	1,772	100,000	3,937	25,000	0,984
NJ 210 FM	50,000	1,969	90,000	3,543	20,000	0,787
NJ 310 FM	50,000	1,969	110,000	4,331	27,000	1,063
NU 310 FM	50,000	1,969	110,000	4,331	27,000	1,063
NU 310 FM/C3	50,000	1,969	110,000	4,331	27,000	1,063
NU 310 FMN/C3	50,000	1,969	110,000	4,331	27,000	1,063
NUP 310 FM/C3	50,000	1,969	110,000	4,331	27,000	1,063
N 211 FMNR C4	55,000	2,165	100,000	3,937	21,000	0,827
NU 1011 FM	55,000	2,165	90,000	3,543	18,000	0,709
NUP 211 FM/C3	55,000	2,165	100,000	3,937	21,000	0,827
NUP 311 FMNR/C3	55,000	2,165	120,000	4,724	29,000	1,142
NUP 212 FM	60,000	2,362	110,000	4,331	22,000	0,866
NUP 2212 FM	60,000	2,362	110,000	4,331	28,000	1,102
NUP 2212 FMNR/c3	60,000	2,362	110,000	4,331	28,000	1,102
NUP 312 FMNR/C3	60,000	2,362	130,000	5,118	31,000	1,220
NJ 1014	70,000	2,756	110,000	4,331	20,000	0,787
NUP 314 FMNR/C3	70,000	2,756	150,000	5,906	35,000	1,378
NJ 215 FP/C3	75,000	2,953	130,000	5,118	25,000	0,984
NU 2215 FM	75,000	2,953	130,000	5,118	31,000	1,220
NU 2216 FM	80,000	3,150	140,000	5,512	33,000	1,299
NJ 1024 FM	120,000	4,724	180,000	7,087	28,000	1,102
NUP 213 FPNR / C3	65,000	2,559	120,000	4,724	23,000	0,906



REFERENCES	d		D		T		SKF	FAG	INA	TORRINGTON
REFERENCIAS	mm	inch	mm	inch	mm	inch				
F 19001	45,000	1,772	100,000	3,937	36,000	1,417		805262		
F 19002	45,000	1,772	100,000	3,937	25,000	0,984	NJ 309 VHNRC4			
F 19003	45,000	1,772	100,000	3,937	25,000	0,984	NUP 309 NR.C4			
F 19004	25,000	0,984	52,000	2,047	18,000	0,709	NUPK 2205 S13			
F 19005	30,500	1,201	54,600	2,150	22,000	0,866				
F 19006	40,000	1,575	90,000	3,543	23,000	0,906	NJ 308 VH.NR.C4			
F 19008	80,000	3,150	150,000	5,906	27,500	1,083	BC1B 319552	566616 B		
F 19009	60,000	2,362	130,000	5,118	31,000	1,220	635245	540106		
F 19010	65,000	2,559	140,000	5,512	33,350	1,313		805449		
F 19011	60,000	2,362	110,000	4,331	22,000	0,866	315070 B	512099 TVP2		
F 19012	35,000	1,378	80,000	3,150	23,000	0,906				
F 19013	40,000	1,575	90,000	3,543	27,000	1,063			F210540	
F 19014	38,000	1,496	90,000	3,543	23,000	0,906	BC1B 246747			
F 19015	45,000	1,772	95,000	3,740	32,000	1,260	314984		F 45814	
F 19016	63,000	2,480	97,450	3,837	34,750	1,368			F 90836.1A	
F 19019	30,000	1,181	60,000	2,362	26,000	1,024		512533	315145	
F 19020	35,000	1,378	80,000	3,150	22,000	0,866			45864,1	
F 19022	84,980	3,346	150,000	5,906	27,500	1,083				
F 19023	25,000	0,984	52,000	2,047	18,000	0,709	NUPK 2205 S1 NR			
F 19025	30,000	1,181	62,000	2,441	20,000	0,787	2206 VF 153B			
F 19026	50,000	1,969	90,000	3,543	23,000	0,906	2210 W			
F 19029	25,000	0,984	52,000	2,047	21,000	0,827	BC1B 635251			
F 19030	49,930	1,966	80,000	3,150	15,000	0,591				
F 19031	30,000	1,181	61,935	2,438	19,050	0,750				
F 19033	40,000	1,575	90,000	3,543	25,000	0,984				RU 9008 UM
F 19034	40,000	1,575	90,000	3,543	23,000	0,906				MU 1308 UM
F 19035	35,000	1,378	72,000	2,835	20,600	0,811				RU 1570 UM
F 19037	35,000	1,378	68,000	2,677	25,000	0,984			F 88545	
F 19038	63,000	2,480	97,450	3,837	37,500	1,476			F 88816.2	
F 19039	80,000	3,150	140,000	5,512	33,500	1,319	BC1B 312219	805450		



REFERENCES	d		D		T		SKF	FAG	INA	TORRINGTON
REFERENCIAS	mm	inch	mm	inch	mm	inch				
F 19042	60,000	2,362	110,000	4,331	28,000	1,102		804339		
F 19043	34,993	1,378	80,000	3,150	23,000	0,906		510148 B		
F 19044	45,000	1,772	100,000	3,937	25,000	0,984		508204 E.TVP		
F 19046	50,000	1,969	100,000	3,937	25,000	0,984		BC1B 322467		
F 19047	60,000	2,362	116,000	4,567	28,000	1,102	BC1B 322172 A			
F 19055	15,875	0,625	47,000	1,850	14,000	0,551				
F 19061	67,000	2,638	101,000	3,976	32,000	1,260			F 211413.2	
F 19062	67,000	2,638	101,000	3,976	38,000	1,496			F 211408.5	
F 19063	45,000	1,772	100,000	3,937	31,000	1,220	BC1B 320308 A			
F 19064	65,000	2,559	140,000	5,512	33,000	1,299	BC1B 319546C/ VB017			
F 19065	40,000	1,575	74,000	2,913	31,700	1,248	BC1B 246037 A			
F 19066	35,000	1,378	62,000	2,441	19,000	0,748			F 43710.1	
F 19067	38,000	1,496	62,000	2,441	19,000	0,748				
F 19068	38,000	1,496	83,000	3,268	25,400	1,000				M 1206 EL
F 19069	47,500	1,870	62,000	2,441	16,000	0,630			F 237594	
F 19070	50,000	1,969	100,000	3,937	27,000	1,063	BC1 0058			
F 19071	50,000	1,969	80,000	3,150	26,500	1,043	BC1 0125			
F 19072	36,000	1,417	57,200	2,252	17,500	0,689			FC 67147	
F 19073	41,000	1,614	64,300	2,531	21,100	0,831			FC 67148.5	
F 19075	30,000	1,181	110,000	4,331	32,300	1,272			87486	
F 19076	38,000	1,496	94,000	3,701	33,000	1,299		580989		

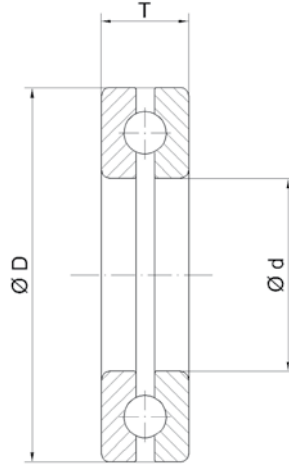
07/ Thrust ball bearings and clutch release bearings

Rodamientos axiales de bolas y
rodamientos de embrague



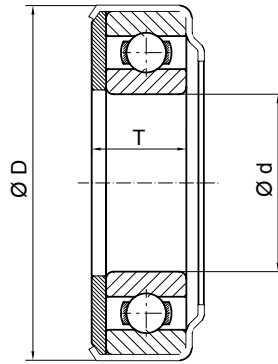
Thrust ball bearings **Rodamientos axiales de bolas**

7.1/ Thrust ball bearings Rodamientos axiales de bolas	94
7.2/ Clutch release bearings Rodamientos de embrague	94

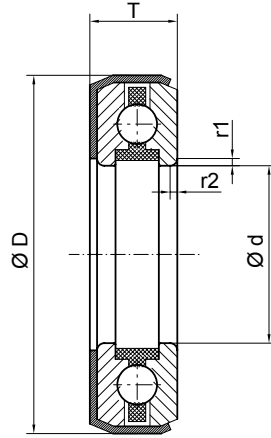


REFERENCIAS	d		D		T	
REFERENCIAS	mm	inch	mm	inch	mm	inch
Thrust ball bearings / Rodamientos axiales de bolas						
F 15034	12,200	0,480	36,600	1,441	11,000	0,433
F 15033	14,200	0,559	36,600	1,441	11,000	0,433
Clutch release bearings / Rodamientos de embrague						
F 15004	41,500	1,634	66,000	2,598	16,100	0,634
F 15005	60,000	2,362	112,000	4,409	29,000	1,142
F 15031	52,400	2,063	90,200	3,551	20,550	0,809
F 15057	52,400	2,063	89,000	3,504	20,300	0,799
F 15058	63,500	2,500	105,000	4,134	23,000	0,906
F 15059	69,840	2,750	113,600	4,472	22,100	0,870
F 15060	65,000	2,559	113,600	4,472	22,100	0,870
F 15064	41,530	1,635	72,200	2,843	21,400	0,843
F 15070	75,000	2,953	117,000	4,606	29,500	1,161
F 15118	63,500	2,500	103,000	4,055	21,400	0,843

Type / Tipo



Clutch A / Embrague A

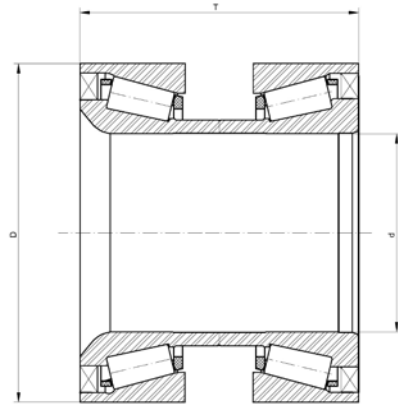


Clutch B / Embrague B

REFERENCES	EQUIVALENCES	TYPE
REFERENCIAS	EQUIVALENCIAS	TIPO
F 15034	-	-
F 15033	-	-
F 15052	IR M 213, TH 148	B
F 15091	IR 128, TH 1075	A
F 15004	IR 108	B
F 15064	-	B
F 15057	IR 153	B
F 15031	-	B
F 15141	-	B
F 15140	IRM-M-163	B
F 15005	-	A
F 15139	KOYO CT 1310	A

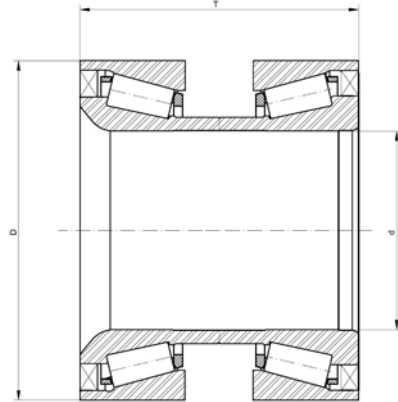
08/ Commercial vehicle bearings Rodamientos para vehículo industrial





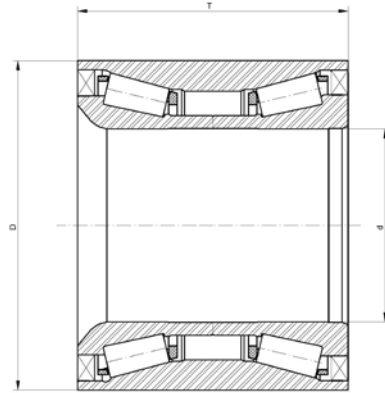
Kit Wheel Truck

REFERENCES	d		D		T	
REFERENCIAS	mm	inch	mm	inch	mm	inch
F 200001 A	68,000	2,677	125,000	4,921	115,000	4,528
F 200002 A	94,000	3,701	148,000	5,827	135,000	5,315
F 200003	58,000	2,283	110,000	4,331	115,000	4,528
F 200004	105,000	4,134	160,000	6,299	140,000	5,512
F 200005	110,000	4,331	170,000	6,693	146,000	5,748

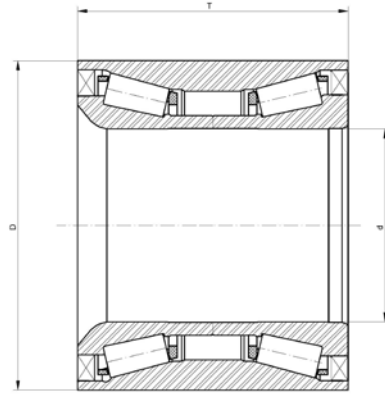
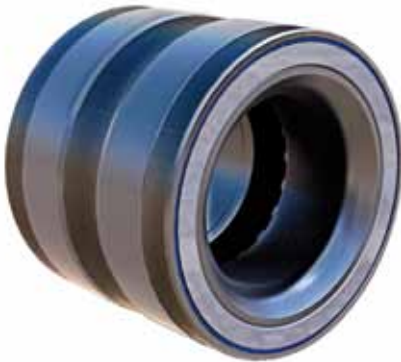


KWT

REFERENCES REFERENCIAS	FAG	SKF	OEM
F 200001 A	566426.H195		1075408 / 20484350 / 20792439 / 20967828 / 21036050 / 70306879 / 20518661
F 200002 A	566425.H195		20518637 / 20558950 / 20967831 / 9955401 / 3987673
F 200003	566427.H195		20518617 / 20967830
F 200004	803750B	VKBA 5408	81 93420 0320
F 200005	804162A		81 93420 0346

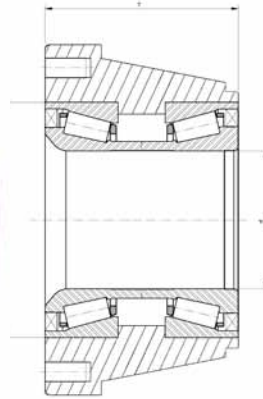


Hub Wheel Truck						
REFERENCES	d		D		T	
REFERENCIAS	mm	inch	mm	inch	mm	inch
F 15097	68,000	2,677	127,000	5,000	115,000	4,528
F 15100	82,000	3,228	140,000	5,512	115,000	4,528
F 15120	60,000	2,362	108,000	4,252	75,000	2,953
F 15121	55,000	2,165	90,000	3,543	60,000	2,362
F 15122	90,000	3,543	160,000	6,299	125,000	4,921
F 15126	82,000	3,228	140,000	5,512	110,000	4,331
F 15127	78,000	3,071	130,000	5,118	91,000	3,583



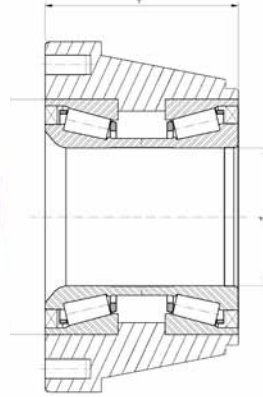
HWT

REFERENCES REFERENCIAS	FAG	SKF	OEM
F 15097	201037	VKBA 5314	1413785/1439070/1443078/1476945/1724482
F 15100	805003 A.H195	VKBA 5412	000 350 35 35 / 000 350 09 35
F 15120	201050		972 330 02 25
F 15121	201051	VKBA 3552	7180066 / 7187566
F 15122	201059	VKBA 5397	7183074
F 15126	805011C		85103258
F 15127	805092C		85103257



Compact Wheel Truck

REFERENCES	d		D		T	
REFERENCIAS	mm	inch	mm	inch	mm	inch
F 300001	82,000	3,228	196,000	7,717	108,000	4,252
F 300005	70,000	2,756	196,000	7,717	130,000	5,118
F 300006	45,000	1,772	120,000	4,724	84,900	3,343
F 300007	60,000	2,362	168,000	6,614	100,000	3,937



CWT

REFERENCES REFERENCIAS	FAG	SKF	OEM
F 300001	564734.H195		3 434 3650 00
F 300005	801974AE.H195	VKBA 5377	81 93420 0330
F 300006	713 6908 50	VKBA 3553	93824579 / 93824580
F 300007	805532		

09/ Passenger car wheel bearing kits Kits de rueda para turismo





KA



KB



KC

KIT	BEARING	BEARING	SKF	FAG	SNR	TIMKEN	QH
KA 001	L 45449 / 10	LM 11749 / 10	VKBA 532	713606200	R 160.02	K 80102	QWB 211
KA 002	L 44649 / 10	LM 11749 / 10	VKBA 513	713606020	R 160.04	K 80103	QWB 212
KA 003	L 45449 / 10	LM 11949 / 10	VKBA 1487	713606140	R 160.06	K 80104	QWB 443
KA 004	LM 67048 / 10	LM 11949 / 10	VKBA 718	713606050	R 160.19	K 80113	QWB 691
KA 005	L 45449 / 10	LM 11949 / 10	VKBA 542	713610240	R 157.05	K 80202	QWB 429
KA 006	L 45449 / 10	LM 11749 / 10	VKBA 529	713610230	R 154.13	K 80203	QWB 201
KA 007	L 45449 / 10	LM 11749 / 10	VKBA 3255	713644510	R 153.07	K 80403	
KB 008	F 15041		VKBA 961	713650070	R 159.19	K 80712	QWB 503
KA 009	32010 XF	32010 XF	VKBA 844	713690330	R 140.42	K 80750	QWB 481
KA 010	32006 XF	32008 XF	VKBA 845	713690430	R 140.43	K 80751	QWB 545
KB 011	F 15166		VKBA 813	713690320	R 140.02	K 80752	QWB 486
KB 012	F 15166		VKBA 814	713690420	R 140.03	K 80153	QWB 482
KA 013	32006 XF	32008 XF	VKBA 3429	713650420	R 140.95	K 80756	QWB 996
KA 014	L 44649 / 10	LM 11749 / 10	VKBA 504	713678250	R 152.12	K 81102	QWB 113C
KA 015	F 15036	F 15036	VKBA 686	713678190	R 152.16	K 81103	QWB 420
KA 016	L 45449 / 10	LM 11749 / 10	VKBA 528	713678150	R 152.17	K 81104	QWB 414
KA 017	L 44649 / 10	LM 11749 / 10	VKBA 505	713678140	R 152.08	K 81107	QWB 115C
KA 018	F 15036	F 15036	VKBA 740	713678080	R 152.21	K 81109	QWB 569
KA 019	F 15036	F 15036	VKBA 687	713678090	R 152.19	K 81111	QWB 418
KA 020	F 15040	F 15040	VKBA 1431	713678020	R 152.36	K 81116	QWB 696
KA 021	F 15029	F 15029	VKBA 1333	713678320	R 152.37	K 81117	QWB 697
KA 022	F 15055	F 15055	VKBA 1366	713619130	R 173.15	K 81201	QWB 638
KA 023	LM 48548 / 10	M 12649 / 10	VKBA 1369	713619300	R 140.34	K 81209	QWB 692
KA 024	32008 XF	32008 XF	VKBA 1324	713690090	R 172.01	K 81850	QWB 725
KA 025	LM 67048 / 10	LM 11949 / 10	VKBA 517	-	R 151.02	K 82001	QWB 256
KA 026	L 503349 A / 10	LM 300849 / 11	VKBA 614	713667520	R 151.03	K 82002	QWB 259
KA 027	LM 48548 / 10	M 12649 / 10	VKBA 596	713667430	R 151.05	K 82003	QWB 255
KA 028	LM 67048 / 10	LM 11949 / 10	VKBA 941	713667370	R 151.14	K 82006	QWB 654
KA 029	LM 48548 / 10	M 12649 / 10	VKBA 1337	-	R 151.12	K 82008	QWB 659
KA 030	LM 67048 / 10	LM 11749 / 10	VKBA 756	713667450	R 151.08	K 82009	QWB 508
KA 031	32009 XF	32009 XF	-	-		K 82056	



KD



KF



KV

KIT	BEARING	BEARING	SKF	FAG	SNR	TIMKEN	QH
KA 032	30209 F	30306 F	VKBA 3405	713667570	R 140.73	K 82057	QWB 1198
KA 033	32009 XF	L 503349 A / 10	VKBA 3404	713667300	R 140.72	K 82058	QWB 1197
KA 034	L 44649 / 10	LM 11949 / 10	VKBA 1310	713613280	R 168.15	K 82306	QWB 539
KA 035	30209 F	LM 501349 / 10	VKBA 3319	713613160	R 168.50	K 82350	QWB 815
KA 036	LM 67048 / 10	LM 11949 / 10	VKBA 684	713613130	R 168.09		QWB 347
KA 037	32010 XF	32010 XF	-	-		K 82358	
KA 038	L 45449 / 10	LM 11749 / 10	VKBA 944	713644510	R 153.07	K 82502	QWB 155C
KA 039	LM 67048 / 10	LM 11949 / 10	VKBA 526	713644520	R 153.16	K 82504	QWB 596
KA 040	L 44649 / 10	LM 11749 / 10	VKBA 506	713644480	R 153.03	K 82505	QWB 285
KA 041	320 / 32	32005 XR	VKBA 540	713650140	R 159.08	K 82610	QWB 289
KA 042	30203 F	F 15063	VKBA 564	713630200	R 155.05	K 82902	QWB 301
KA 043	30205 F	30204 F	VKBA 548	713630210	R 155.03	K 82904	QWB 629
KA 044	32005 XR	30204 XF	VKBA 652	713630220	R 155.06	K 82909	QWB 310
KB 045	F 15041		VKBA 869	713630300	R 155.13	K 82912	QWB 431
KB 046	F 15042		VKBA 975	713630240	R 155.17	K 82915	QWB 560
KB 047	F 15043		VKBA 976	713630270	R 155.27	K 82918	QWB 560
KB 048	F 15044		VKBA 1413	713630180	R 155.32	K 82911	QWB 430D
KA 049	32007 XF	30205 F	VKBA 977	713630480	R 140.56		QWB 608
KA 050	LM 603049/11	LM 603049/11	VKBA 838	713620140	R 180.00	K 83050	QWB 186C
KA 051	359 A / 354 X	11162 / 300	VKBA 837	-		K 83051	QWB 411
KA 052	LM 603049/11	LM 603049/11	VKBA 3420	713620010	R 180.01	K 83053	QWB 519
KA 053	LM 603049/11	LM 603049/11	VKBA 3421	713620020	R 180.02	K 83054	QWB 706
KA 054	LM 67048 / 10	30204 F	VKBA 1430	713614210	R 178.03	K 83104	QWB 707
KA 055	15579 X/20	LM 11949/10	VKBA 926	713690120	R 158.00	K 83204	QWB 239
KA 056	LM 67048/10	LM 11949/10	VKBA 925	713690130	R 158.01	K 83205	QWB 242
KA 057	J 15585/20	LM 11949/10	VKBA 929	713690150	R 158.08	K 83206	QWB 247
KA 058	32008 XF	32006 XF	VKBA 1446	713650410	R 140.79	K 83257	QWB 740
KA 059	L 44649 / 10	LM 11749 / 10	VKBA 501	713680110		K 83301	
KA 060	L 44649 / 10	30204 F	-	-		K 83305	
KA 061	F 15003	F 15003	VKBA 1978	713623020	R 177.02		QWB 915
KB 062	F 15015		VKBA 3219	713623030	R 177.12	K 83452	QWB 812



KA



KB



KC

KIT	BEARING	BEARING	SKF	FAG	SNR	TIMKEN	QH
KA 063	L 44649 / 10	30204 F	VKBA 551	713680110		K 83602	
KA 064	LM 67048/10	LM 11949/10	VKBA 525	-		K 83603	
KA 065	L 45449 / 10	LM 11749 / 10	VKBA 534	713618100	R 169.01	K 83710	QWB 366
KA 066	LM 67048/10	LM 11949/10	VKBA 527	713618110	R 169.02	K 83753	QWB 365
KA 067	LM 67048/10	LM 11949/10	VKBA 1965	713618740	R 169.02	K 83754	QWB 365
KA 068	L 44649 / 10	LM 11749 / 10	VKBA 502	713660110	R 163.00	K 84001	QWB 342
KA 069	L 45449 / 10	LM 11749 / 10	VKBA 529	713610230		K 80203	
KA 070	LM 48548 / 10	M 12649 / 10	VKBA 826	713618300	R 140.26	K 84150	QWB 693
KA 071	LM 300849/11	L 45449 / 10	VKBA 802	713611480	R 154.17	K 84151	QWB 407
KA 072	32010 XF	32010 XF	VKBA 801	713611570	R 154.18	K 84153	QWB 496
KA 073	32005 XR	32004 XF	VKBA 728	713650270	R 159.12	K 80708	QWB 459
KA 074	F 15135	F 15135	VKBA 543	713678170	R 152.20	K 81101	QWB 184C
KA 075	L 45449 / 10	LM 11749 / 10	VKBA 528	713678150		K 81104	
KA 076	F 15036	F 15036	VKBA 897	713678280	R 152.28	K 81110	QWB 527
KA 077	L 45449 / 10	LM 11949/10	VKBA 752	713613230	R 168.10	K 80107	QWB 492
KB 078	F 15041		VKBA 3556	713650070	R 159.38	K 80737	QWB 1274
KA 079	32010 XF	32010 XF	VKBA 1444	713650310	R 140.77	K 80754	QWB 828
KA 080	33108 F	32206 F	VKBA 3430	713650430	R 140.96	K 80757	QWB 995
KA 081	F 15036	F 15036	VKBA 741	713678080	R 152.29	K 81118	QWB 568
KA 082	F 15036	F 15036	VKBA 898	713678280	R 152.34	K 81119	QWB 528
KA 083	LM 67048/10	LM 11949/10	VKBA 523	-	R 152.02	K 81150	QWB 414
KA 084	387 A / 382 A	18790 / 20	VKBA 959	713678420	R 140.80	K 81155	QWB 756
KA 085	32007 XR	LM 11949/10	VKBA 1465	713678500	R 140.87	K 81151	QWB 863
KA 086	L 44649 / 10	LM 11749 / 10	VKBA 713	713619100	R 173.00	K 81206	QWB 375
KA 087	L 45449 / 10	LM 11749 / 10	VKBA 1396	713667380	R 151.11	K 82050	QWB 773
KA 088	30205 F	30204 F	VKBA 547	713650210	R 159.04	K 82605	QWB 446
KA 089	30205 F	30204 F	VKBA 546	713640440	R 159.11	K 82606	QWB 445
KB 090	F 15050		VKBA 969	713630250	R 155.19	K 82923	QWB 662
KA 091	320/32 XF	32005 XR	VKBA 830	713630440	R 140.25	K 82955	QWB 497
KF 092	F 16045		VKBA 964	713606260	R 160.13	K 80108	QWB 672
KF 093	F 16045		VKBA 963	713606320	R 160.14	K 80115	QWB 671



KD



KF



KV

KIT	BEARING	BEARING	SKF	FAG	SNR	TIMKEN	QH
KF 094	F 16031		VKBA 1447	713606160	R 160.18	K 80116	QWB 944
KF 095	F 16035		VKBA 575	713610160	R 154.15		QWB 510
KF 096	F 16038		VKBA 1355	713610080	R 157.08	K 80207	QWB 683
KV 097	F 16011		VKBA 3456	713610220	R 157.20	K 80213	QWB 1055
KF 098	F 16054		VKBA 1356	713610030	R 154.43	K 80214	QWB 733
KF 099	F 16041		VKBA 1374	713617090	R 174.12	K 80310	QWB 712
KV 100	F 16008		VKBA 1379	713617260	R 174.19	K 80312	QWB 592
KF 101	F 16052		VKBA 3461	713617360	R 161.23	K 80323	QWB 994
KF 102	F 16053		VKBA 3246	713617040	R 174.34	K 80329	QWB 1003
KV 103	F 16015		VKBA 890	-	R 150.15	K 80506	QWB 576
KF 104	F 16036		VKBA 1317	713649240	R 150.16	K 80507	QWB 906
KV 105	F 16060		VKBA 938	713667140	R 150.17	K 80515	QWB 534
KF 106	F 16046		VKBA 1320	713649270	R 150.19	K 80511	QWB 779
KF 107	F 16032		VKBA 1318	713649250	R 150.12	K 80514	QWB 514
KV 108	F 16033		VKBA 1458	713667180	R 150.22	K 80516	QWB 786
KF 109	F 16036		VKBA 1459	713649320	R 150.23	K 80517	QWB 787
KF 110	F 16046		VKBA 1460	713649300	R 150.24	K 80518	QWB 831
KF 111	F 16022		VKBA 1327	713640190	R 166.14	K 80718	QWB 634
KF 112	F 16004		VKBA 1328	713640280	R 166.15	K 80719	QWB 635
KF 113	F 16056		VKBA 3423	713630580	R 159.31	K 80724	QWB 974
KV 114	F 16016		VKBA 3477	713630530	R 166.24		QWB 1049
KF 115	F 16036		VKBA 1432	713678040	R 152.39	K 81120	QWB 817
KF 116	F 16055		VKBA 1480	713678050	R 152.42	K 81125	QWB 859
KD 117	F 18009		VKBA 922	713678380	R 140.52	K 81151	QWB 194C
KD 118	F 18009		VKBA 958	-	R 140.70	K 81156	QWB 633
KF 119	F 16091		VKBA 3309	713619090			
KV 120	F 16006		VKBA 3305	713619080	R 173.23	K 81214	QWB 984
KF 121	F 16090		VKBA 1970	713619170			
KV 122	F 16014		VKBA 3326	713619410	R 173.17	K 81220	QWB 988
KV 123	F 16014		VKBA 3327	713619420	R 173.18	K 81221	
KF 124	F 16059		VKBA 757	713667530	R 151.07	K 82005	QWB 536



KA



KB



KC

KIT	BEARING	BEARING	SKF	FAG	SNR	TIMKEN	QH
KB 125	F 15167		VKBA 1347	713667550	R 151.15	K 82007	QWB 754
KA 126	U 497/U 460L		VKBA 1470	713667560	R 151.10	K 82053	QWB 752
KF 127	F 16059		VKBA 3486	713667050	R 151.27	K 82068	QWB 1057
KF 128	F 16081		VKBA 1999	713613700	R 168.26	K 82301	QWB 956
KF 129	F 16058		VKBA 1362	713613090	R 168.18	K 82311	QWB 931
KF 130	F 16034		VKBA 3201	713613040	R 168.30	K 82315	QWB 928
KA 131	32209 F	32209 F	VKBA 1953	713613070	R 168.41	K 82351	
KC 132	F 18003		VKBA 673	713613220	R 168.04	K 82353	QWB 354
KF 133	F 16019		VKBA 663	713644160	R 153.14	K 82501	QWB 417
KF 134	F 16036		VKBA 736	713644170	R 153.15	K 80402	QWB 436
KV 135	F 16028		VKBA 1301	713644540	R 153.18	K 82510	QWB 603
KF 136	F 16032		VKBA 1326	713644650	R 153.20	K 82512	QWB 570
KF 137	F 16020		VKBA 3403	713644150	R 153.25	K 82516	QWB 935
KF 138	F 16037		VKBA 3410	713644190	R 153.26	K 82518	QWB 878
KF 139	F 16042		VKBA 618	713650110	R 159.07	K 82604	QWB 507
KF 140	F 16049		VKBA 622	713650240	R 159.03	K 82611	QWB 291
KF 141	F 16050		VKBA 729	713650260	R 159.13	K 82612	QWB 461
KF 142	F 16026		VKBA 882	713650160	R 159.14	K 82613	QWB 487
KF 143	F 16048		VKBA 915	713640180	R 166.13	K 82615	QWB 525
KV 144	F 16017		VKBA 743	713640260	R 159.15	K 82616	QWB 488
KF 145	F 16029		VKBA 3554	713650060	R 159.17	K 82619	QWB 1150
KC 146	F 18001		VKBA 629	713630100	R 155.00	K 82901	QWB 302
KC 147	F 18006		VKBA 639	713630120	R 155.01	K 82903	QWB 286
KC 148	F 18001	F 18002	VKBA 636	713630130	R 155.10	K 82907	QWB 302
KC 149	F 18005		VKBA 723	713630150	R 155.08	K 82908	QWB 313
KF 150	F 16025		VKBA 638	713630160	R 155.21	K 82910	QWB 309
KF 151	F 16021		VKBA 1413	-			
KV 152	F 16044		VKBA 966	713630170	R 155.11	K 82913	QWB 467
KF 153	F 16051		VKBA 909	713630340	R 155.09	K 89914	QWB 479
KV 154	F 16005		VKBA 967	-	R 155.15	K 82916	QWB 563
KF 155	F 16030		VKBA 3596	-	R 155.16	K 82917	QWB 564



KD



KF



KV

KIT	BEARING	BEARING	SKF	FAG	SNR	TIMKEN	QH
KV 156	F 16061		VKBA 1406	713630350	R 155.24	K 82920	QWB 681
KV 157	F 16007		VKBA 1494	713630310	R 155.26	K 82926	QWB 563
KF 158	F 16031		VKBA 3408	-	R 155.16	K 82927	
KF 159	F 16024		VKBA 3441	713614030	R 154.49	K 83105	QWB 811
KF 160	F 16002		VKBA 685	713690170	R 158.12	K 83210	QWB 422
KF 161	F 16001		VKBA 559	713690160	R 158.07	K 83212	QWB 243
KV 162	F 16062		VKBA 625	713690240	R 158.10	K 83213	QWB 421
KV 163	F 16003		VKBA 734	713690010	R 158.13	K 83214	QWB 515
KV 164	F 16010		VKBA 1440	713690230	R 158.22	K 83223	QWB 675
KF 165	F 16027		VKBA 1438	-	R 158.31	K 83226	QWB 794
KF 166	F 16031		VKBA 1439	713690510	R 158.32	K 83227	QWB 795
KF 167	F 16031		VKBA 3416	713690610	R 158.37	K 83237	
KF 168	F 16027		VKBA 3414	713690500	R 158.35	K 83236	QWB 855
KA 169	32208 F	30305 F	VKBA 1385	713690380	R 140.58	K 83252	QWB 666
KA 170	32011 XF	32011 XF	VKBA 1393	713690470	R 140.65	K 83253	QWB 685
KA 171	368 A/362 A	18690/18620	VKBA 1387	-	R 140.60	K 83262	QWB 718
KF 172	F 16043		VKBA 738	713680160	R 156.04	K 83601	QWB 231
KF 173	F 16009		VKBA 1344	713618270	R 169.10	K 83705	QWB 622
KC 174	F 18010		VKBA 675	713618210	R 169.04	K 83756	QWB 360
KF 175	F 16024		VKBA 1315	713660190	R 165.11	K 84009	QWB 759
KF 176	F 16024		VKBA 1495	713660050	R 165.16	K 84010	QWB 1284
KV 177	F 16012		VKBA 1436	713660280	R 165.10	K 84011	QWB 726
KV 178	F 16013		VKBA 1437	713660270	R 165.15	K 84012	QWB 971
KF 179	F 16019		VKBA 593	713610140	R 154.14	K 84101	QWB 328
KF 180	F 16018		VKBA 577	713610130	R 154.12	K 84103	QWB 200
KF 181	F 16023		VKBA 906	713610180	R 154.23	K 84105	QWB 512
KF 182	F 16039		VKBA 1358	713610100	R 154.28	K 84106	QWB 698
KF 183	F 16106		VKBA 1491	713610040	R 154.34	K 84101	QWB 880
KF 184	F 16040		VKBA 3455	713610020	R 154.01	K 80212	QWB 1089
KF 185	F 16035		VKBA 575	713610160			
KA 186	30208 F		VKBA 1956	713619240	R 173.07	K 81208	QWB 747



KA



KB



KC

KIT	BEARING	BEARING	SKF	FAG	SNR	TIMKEN	QH
KA 187	L 45449 / 10	L 45449 / 10	VKBA 1367	713619230	R 173.09	K 81211	QWB 803
KC 188	F 18004		VKBA 1371	713619210	R 173.05	K 81223	QWB 376
KA 189	L 68149 / 11	LM 12749 / 10	VKBA 1498	713667360	R 151.18	K 82011	QWB 1070
KA 190	LM 102949 / 10	LM 102949 / 10	VKBA 1915	713619140	R 173.06	K 81207	QWB 716
KB 191	F 15067		VKBA 3532	713678030	R 152.56	K 81141	QWB 1128
KB 192	F 15044		VKBA 3496	713630180		K 82963	
KB 193	F 15041		VKBA 3525	-	R 155.63	K 82965	QWB 1088
KV 194	F 16065		VKBA 3456	713610220		K 80213	
KF 195	F 16066		VKBA 3495	713630050	R 155.44	K 82962	QWB 1084
KV 196	F 16067		VKBA 3510	713644040	R 153.31	K 82523	QWB 1112
KF 197	F 16068		VKBA 3730	713618560	R 169.37	K 83730	
KV 198	F 16069		VKBA 3511	713644070	R 153.32	K 82524	QWB 1113
KV 199	F 16070		VKBA 3513	713644060	R 153.33	K 82542	QWB 1114
KA 200	32206 F	33108 F	VKBA 1462	713690490	R 140.83	K 83259	
KF 201	F 16036		VKBA 3530	713678110	R 152.54	K 81139	QWB 1126
KV 202	F 16073		VKBA 3409	713644560	R 153.23	K 82517	QWB 877
KF 203	F 16024		VKBA 1410	713696100	R 182.60	K 83210	QWB 422
KV 204	F 16072		VKBA 310	713690260	R 158.14	K 83215	QWB 509
KC 205	6306 2RS		VKBA 973	713690190	R 172.00	K 81802	QWB 254
KA 206	30206 F	30304 F	-	-			
KA 207	30208 F	30208 F	-	-			
KA 208	30209 F	30209 F	-	-			
KC 209	6306 2RS	6306 2RS	-	-			
KA 210	L 44645 / L 44613	L 44645 / L 44613	VKBA 562	713690210	R 158.04	K 83202	QWB 241
KA 211	U 399 / U 360 L + COLLAR (D)		VKBA 571	713660230	R 165.03	K 84008	QWB 337
KA 212	U 399 / U 360 L + COLLAR (E)		VKBA 733	713660260	R 165.05	K 84 006	QWB 599
KA 213	01-03-4016	05-02-4911	VKBA 927	713690110	R 158.02		QWB 249
KA 214	JL 69349 / JL 69310	JL 69349 / JL 69310	VKBA 949	713615150	R 170.09		QWB 722
KV 215	F 16136		VKBA 1331	713650250	R 159.22	K 80723	QWB 678



KD



KF



KV

KIT	BEARING	BEARING	SKF	FAG	SNR	TIMKEN	QH
KF 216	F 16039		VKBA 1358	713610730		K 84106	
KB 217	F 15137		VKBA 1363	713613210	R 168.19	K 82312	QWB 763
KV 218	F 16137		VKBA 1441	713690600	R 158.21	K 83224	QWB 734
KV 219	F 16138		VKBA 1475	713640250	R 159.29	K 80122	QWB 830
KV 220	F 16139		VKBA 1481	713678340	R 152.43	K 81126	QWB 860
KV 221	F 16140		VKBA 1482	713678350	R 152.44	K 81127	QWB 862
KV 222	F 16141		VKBA 1484	713678360	R 152.45	K 81129	QWB 861
KC 223	6007 2RS / C3	6007 2RS / C3	VKBA 1930	-	R 177.09	K 83401	QWB 896
KC 224	6205 2RS / C3	6204 2RS / C3	VKBA 1931	713623120	R 177.08	K 83402	QWB 972
KF 225	F 16088		VKBA 1948	713615090	R 170.32	K 81906	QWB 889
KV 226	F 16142		VKBA 1949	713615510	R 170.23	K 81907	QWB 891
KF 227	F 16089		VKBA 1950	713615030	R 170.22	K 81905	QWB 890
KV 228	F 16143		VKBA 3218	713619280	R 173.16		QWB 842
KV 229	F 16144		VKBA 3250	713617070	R 174.28	K 80326	QWB 965
KV 230	F 16145		VKBA 3266	713619050	R 184.02	K 81204	QWB 1081
KV 231	F 16146		VKBA 3267	713619060	R 184.03	K 81203	QWB 1079
KV 232	F 16147		VKBA 3298	713615530	R 170.24	K 81908	QWB 921
KF 233	F 16085		VKBA 3406	713610300	R 140.97	K 84160	QWB 997
KV 234	F 16148		VKBA 3418	713660080	R 165.20	K 84023	QWB 1202
KV 235	F 16149		VKBA 3422	713644550	R 153.22	K 82513	QWB 876
KV 236	F 16150		VKBA 3424	713630570	R 159.32	K 80125	QWB 1001
KV 237	F 16151		VKBA 3442	713690550	R 158.39	K 83237	QWB 964
KV 238	F 16152		VKBA 3444	713667220	R 150.30	K 80520	QWB 1200
KV 239	F 16153		VKBA 3445	713649340	R 150.29	K 80521	QWB 1201
KF 240	F 16086		VKBA 3449	713610450	R 154.41	K 81135	QWB 1000
KF 241	F 16086		VKBA 3450	713610460	R 154.42	K 81136	QWB 1146
KV 242	F 16154		VKBA 3458	713660120	R 165.22	K 84021	QWB 1233
KV 243	F 16155		VKBA 3468	713630630	R 155.47	K 82937	QWB 952
KV 244	F 16156		VKBA 3469	713630640	R 155.46	K 82936	QWB 951
KV 245	F 16188		VKBA 3488	713660370	R 165.23	K 84025	QWB 1039
KV 246	F 16157		VKBA 3491	713630650	R 155.56	K 82949	QWB 1131



KA



KB



KC

KIT	BEARING	BEARING	SKF	FAG	SNR	TIMKEN	QH
KV 247	F 16158		VKBA 3512	713644030	R 153.30	K 82525	QWB 1117
KA 248	L 45449 / 10	LM 11949 / 10	VKBA 3519	713610370	R 154.50	K 80215	QWB 1155
KV 249	F 16159		VKBA 3526	713660310	R 165.26	K 84028	QWB 1241
KV 250	F 16160		VKBA 3536	713610380	R 157.26	K 80217	QWB 1272
KV 251	F 16161		VKBA 3540	713690710	R 158.46	K 80125	QWB 1101
KV 252	F 16162		VKBA 3555	713644570	R 153.27	K 82528	QWB 879
KC 253	F 18044		VKBA 607	713690200	R 158.11	K 83207	QWB 177C
KA 254	LM 67049/14		VKBA 749	713620130	R 161.09	K 80334	QWB 159C
KA 255	JLM 104945 / 10	JLM 104945 / 10	VKBA 829	713630330	R 140.23	K 82950	QWB 474
KC 256	F 19074	6207 C3	VKBA 910	713611550	R 154.08	K 84157	QWB 406
KA 257	F 15164	F 15164	VKBA 919	713678290	R 152.33	K 81115	QWB 533
KV 258	F 16163		VKBA 968	713630380	R 155.18	K 82932	QWB 872
KF 259	F 16034		VKBA 1340	713618150	R 169.50		QWB 623
KV 260	F 16164		VKBA 1375	713617270	R 174.16	K 80313	QWB 742
KF 261	F 16031		VKBA 1403	713690070	R 158.18	K 83216	QWB 735
KB 262	F 15044		VKBA 3496	713630180		K 82963	
KB 263	F 15068		VKBA 1467	713678610	R 140.85	K 81159	QWB 865
KF 264	F 16107		VKBA 1488	713690540	R 160.15	K 80119	QWB 846
KC 265	F 18045		VKBA 1971	713623090	R 177.11	K 83451	
KA 266	30208 F		VKBA 3206	713613410	R 140.91		QWB 658
KV 267	F 16165		VKBA 3225	713613640	R 168.24	K 82302	QWB 868
KA 268	32209 F		VKBA 3321	713613590	R 168.52	K 82364	QWB 816
KA 269	32007 XF	32205 BF	VKBA 3407	713630550	R 140.81		QWB 942
KF 270	F 16093		VKBA 3413	713690780	R 158.34	K 83235	QWB 854
KV 271	F 16166		VKBA 3415	713660040	R 165.17	K 84018	QWB 978
KA 272	F 15138	F 15138	VKBA 3428	713640400	R 140.94	K 80755	QWB 1005
KA 273	LM 501349 / 10	33205 F	VKBA 3434	713667600	R 140.76	K 82066	QWB 1196
KF 274	F 16132		VKBA 3447	-	R 150.25		QWB 1194
KV 275	F 16167		VKBA 3480	713630090	R 166.26	K 80732	QWB 1152
KV 276	F 16168		VKBA 3489	713610500	R 154.44	K 84108	QWB 1137
KF 277	F 16108		VKBA 3492	713630830	R 155.61		QWB 1096



KD



KF



KV

KIT	BEARING	BEARING	SKF	FAG	SNR	TIMKEN	QH
KB 278	F 15168		VKBA 3500	713630790	R 155.64	K 82959	QWB 1085
KV 279	F 16169		VKBA 3514	713644020	R 153.34	K 82527	QWB 1115
KF 280	F 16109		VKBA 3522	713667740	R 151.26	K 82017	QWB 1195
KF 281	F 16002		VKBA 3528	713690670	R 158.41	K 83238	
KF 282	F 16110		VKBA 3531	713678100	R 152.55	K 81140	QWB 1127
KF 283	F 16111		VKBA 3581	-	R 158.43	K 80124	QWB 1097
KV 284	F 16170		VKBA 3548	713610210	R 154.45		QWB 1257
KV 285	F 16171		VKBA 3550	713610530	R 154.52	K 84110	
KV 286	F 16172		VKBA 3567	713610490	R 157.31	K 83107	QWB 1160
KV 287	F 16173		VKBA 3569	713610470	R 157.32	K 83109	QWB 1159
KF 288	F 16112		VKBA 3577	713690860	R 158.42	K 83241	QWB 1098
KF 289	F 16113		VKBA 3584	713630760	R 159.44	K 82622	QWB 1265
KV 290	F 15154		VKBA 3585	713630820	R 159.42	K 82623	QWB 1228
KV 291	F 15176		VKBA 3588	713678650	R 152.60	K 81160	QWB 1258
KF 292	F 16083		VKBA 3600	713644080	R 153.39	K 82539	QWB 1211
KB 293	F 15169		VKBA 3613	713630800	R 140.06		QWB 1225
KV 294	F 16175		VKBA 3635	713640010	R 159.46		QWB 1273
KB 295	F 15170		VKBA 3640	713640390	R 140.17		
KB 296	F 15121		VKBA 3641	713640400	R 140.38		
KV 297	F 16176		VKBA 3667	713667060	R 150.22		QWB 786
KF 298	F 16068		VKBA 3729	713618550	R 169.38	K 83729	QWB 946
KF 299	F 16057		VKBA 3907	713619510	R 184.05	K 81229	
KF 300	F 16114		VKBA 3628	713667730			
KF 301	F 16115		VKBA 1933	713623060	R 177.06	K 83403	QWB 959
KF 302	F 16116		VKBA 3647	713660130	R 165.24	K 84024	QWB 1231
KF 303	F 16045		VKBA 3499	713667230	R 150.31		QWB 1223
KF 304	F 16117		VKBA 3245	713617030	R 174.25	K 80328	QWB 1002
KV 305	F 16177		VKBA 3546	713630540	R 159.40	K 82620	QWB 1276
KF 306	F 16054		VKBA 1356	713610350		K 80214	
KF 307	F 16054		VKBA 1356	713610410		K 80206	
KF 308	F 16118		VKBA 3427	713610070	R 157.16	K 80208	QWB 1154



KA



KB



KC

KIT	BEARING	BEARING	SKF	FAG	SNR	TIMKEN	QH
KF 309	F 16119		VKBA 3945	713618760	R 169.60		
KF 310	F 16120		VKBA 3216	713618040	R 169.24		
KF 311	F 16105			713618790			
KF 312	F 16121		VKBA 3504	713630710	R 155.52	K 82945	QWB 1083
KF 313	F 16122		VKBA 3490	713630060	R 166.28	K 80734	
KF 314	F 16051		VKBA 908	713630370	R 155.09	K 82952	QWB 498
KF 315	F 16123		VKBA 3616	713644130	R 155.71		QWB 1252
KF 316	F 16119		VKBA 3237	713618180	R 169.36		QWB 899
KF 317	F 16090		VKBA 1973	713619150	R 173.10		
KB 318	F 15172		VKBA 3311	713613690			
KF 319	F 16191		VKBA 6643	713644300			
KF 320	F 16124		VKBA 1377	713617160	R 174.13	K 80309	QWB 490
KF 321	F 16125		VKBA 3703	713613630	R 168.40	K 82319	QWB 941
KV 322	F 16178		VKBA 3660	713678790	R 152.62		
KV 323	F 15177		VKBA 3654	713678730	R 152.67		
KV 324	F 15178		VKBA 3655	713678720	R 152.66		
KV 325	F 15179		VKBA 3589	713678670	R 152.58	K 81161	QWB 1259
KV 326	F 15180		VKBA 3590	713678660	R 152.59	K 81162	QWB 1260
KF 327	F 16036		VKBA 1432	713678040		K 81120	
KV 328	F 16179		VKBA 3576	713678430	R 152.24	K 81144	QWB 1236
KF 329	F 16126		VKBA 3575	713678410	R 152.23	K 81143	QWB 1261
KV 330	F 16180		VKBA 3652	713644340	R 153.50		
KV 331	F 16181		VKBA 3653	713644330	R 153.49		
KV 332	F 16182		VKBA 3651	713644320	R 153.48		
KV 333	F 16183		VKBA 3650	713644310	R 153.47		
KF 334	F 16127		VKBA 3648	713644290	R 155.74		
KV 335	F 16184		VKBA 6507	713644270	R 153.43		
KV 336	F 16185		VKBA 3624	713619450	R 153.41		QWB 1076
KV 337	F 16186		VKBA 3602	713644230	R 153.38		
KB 338	F 15128		VKBA 3601	713644220	R 153.37	K 82540	QWB 1212
KB 339	F 15173		VKBA 3617	713644140	R 155.70	K 82546	QWB 1253



KD



KF

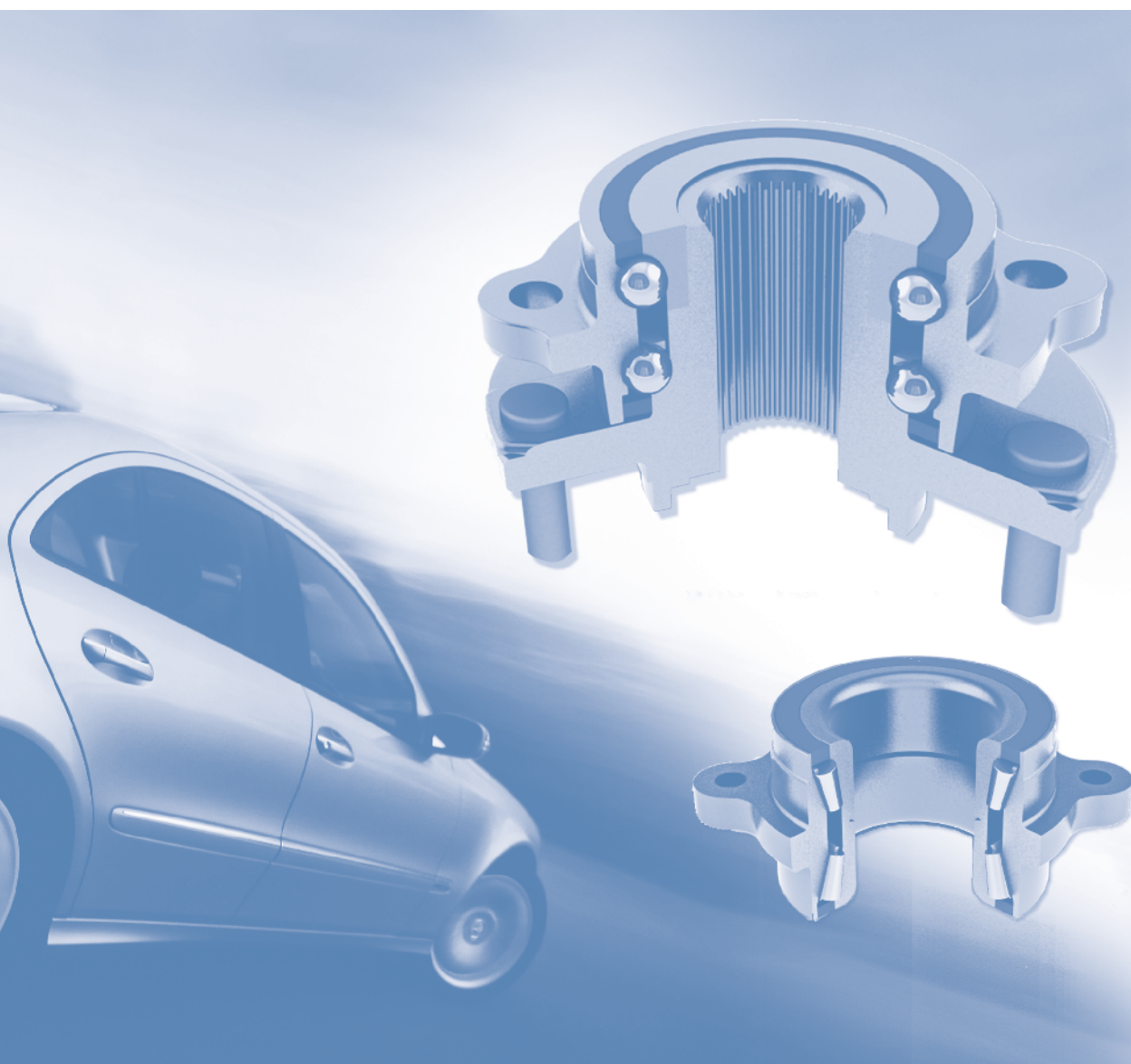


KV

KIT	BEARING	BEARING	SKF	FAG	SNR	TIMKEN	QH
KF 340	F 16128		VKBA 3618	713644120	R 155.69	K 82545	QWB 1251
KF 341	F 16129		VKBA 3572	713644110	R 153.36	K 82530	
KF 342	F 16130		VKBA 3571	713644100	R 153.35	K 82529	
KV 343	F 16187		VKBA 3620	713644090	R 153.40		
KB 344	F 15174		VKBA 3614	713630780	R 140.01		
KB 345	F 15043		VKBA 3521	713667320	R 151.32		QWB 1069
KF 346	F 16131		VKBA 3538	713690750	R 158.44	K 80123	QWB 1102
KA 347	F 15164	F 15164	VKBA 918	713678290	R 152.32	K 81115	QWB 532
KF 348	F 16132		VKBA 3668	713649280			
KA 349	30206 F	30304 F	VKBA 708	713614010	R 178.00		QWB 493
KB 350	F 15175		VKBA 3639	713630950	R 155.77		QWB 1256
KF 351	F 16133		VKBA 3637	713630840	R 155.75		QWB 1254
KF 352	F 16134		VKBA 1346	713618370	R 169.14	K 83720	QWB 621
KV 353	F 16192		VKBA 3930	713618670	R 169.30		QWB 1291
KF 354	F 16135		VKBA 3657	713640310	R 166.03		QWB 455

10/ Cross references lists

Listas de referencias cruzadas



SKF - Fersa

SKF	Fersa
314984	F 19015
315145	F 19019
316790	F 19012
331933	F 15051 R
332073	L 29002/L 33492
440682	F 18023
635245	F 19009
1861373	F 18002
BA2B 309609 AD	F 16074
239697 Q	F 15046
309726 DA	F 16019
309946 AC	F 16032
315070 B	F 19011
331305A/Q	F 15047
361984 C	F 18025
4209 ATN9 / MT33 VB2669	F 18009
441442 D/Q	F 15166
6206 - RS1 / C3R 196	F 18001
6207 - RS1 / MT33 BR 196	F 18005
6207 - RS1 / MT33 BR196	F 18004
6210ZNR	F 18032
6306/32 - 2RS1 / C4VB 038	F 18003
639194 Q CL7A	F 15023
BA2B 309639 BA / BAHB 311396 B	F 16036
BA2B 441832 AB	F 16025
BA2B 446047 AAD	F 16113
BA2B 446762 B	F 16026
BA2B 633292 AA	F 16003
BA2B 633313 C	F 16001
BA2D 633293 A	F 16071
BAF 0068 D	F 16174
BAF 4104 A	F 16064
BAF-0011	F 16151
BAF-0013 AD	F 16010
BAF-0037 D	F 16148
BAF-0040 B	F 16161
BAF-0058	F 16170
BAF-0125 A	F 16160
BAF-4039 B	F 16139
BAF-4040 C	F 16140
BAF-4093 AA	F 16154
BAF-4104 BBX	F 16011
BAF-4109 C	F 16167

SKF	Fersa
BAF-4110 AB	F 16177
BAFB 309971 AC / BAFB 309981 AA	F 16015
BAFB 309971 AC / BAFB 309981 AA	F 16060
BAFB 444450 AAC	F 16017
BAFB 446451 DD	F 16136
BAFB 446912 AE	F 16012
BAFB 446912 AE	F 16013
BAFB 447302 BB	F 16138
BAFB 447312 A	F 16028
BAFB 447318 B	F 16033
BAFB 447332 CC	F 16165
BAFB 633622 E	F 16062
BAFB 633807 D	F 16137
BAH 0042	F 16200
BAH-0004 AA	F 16107
BAH-0011 AB	F 16054
BAH-0012 AD	F 16031
BAH-0013 D	F 16027
BAH-0015 E	F 16093
BAH-0023	F 16023
BAH-0028 AA	F 16088
BAH-0031	F 16002
BAH-0031 D	F 16024
BAH-0032	F 16119
BAH-0039	F 16125
BAH-0041 D	F 16034
BAH-0049	F 16089
BAH-0049 C	F 16040
BAH-0051 B	F 16029
BAH-0053 ADX	F 16131
BAH-0055 AAX	F 16111
BAH-0068 D	F 16126
BAH-0072 D	F 16135
BAH-0086	F 16116
BAH-0094	F 16030
BAH-0106 D	F 16110
BAH-0168	F 16106
BAH-0171	F 16048
BAH-0174	F 16056
BAH-0177	F 16051
BAH-5000 AA	F 16004
BAH-5001 A	F 16022
BAHB 311315 BD	F 16035

SKF	Fersa
BAHB 311316 B	F 16018
BAHB 311424 B	F 16045
BAHB 311443 B	F 16039
BAHB 633815 AA	F 16038
BAHB 633966 BB	F 16055
BAHB 636096 A	F 16037
BAHB 636114 A	F 16020
BAHB 636149 BC / BAHB 636149 D	F 16059
BAHB 636187 A	F 16090
BAHB 636193 C	F 16057
BAHB 636214 A	F 16118
BAHB309796A	F 16195
BAR-0029 D	F 16149
BAR-0042 AB	F 16162
BAR-0045 B	F 16072
BAR-0045 B	F 16073
BAR-0048	F 16067
BAR-0049 E	F 16069
BAR-0050 AC	F 16070
BAR-0053 C	F 16158
BAR-0066 C	F 16169
BAR-0078 AA	F 16179
BAR-0084 D	F 16185
BAR-0094 D	F 16181
BAR-0106 B	F 16182
BAR-0108 D	F 16180
BAR-0112 C	F 16183
BARB 636078 C	F 16141
BB1B 243209	F 18010
BB1B 417145	F 18006
BB1B 445924 C	F 18043
BB1B 630374 / C4	F 18011
BB1B 630374/C4	F 18044
BC1 0058	F 19070
BC1 0125	F 19071
BC1B 246037 A	F 19065
BC1B 246747	F 19014
BC1B 312219	F 19039
BC1B 319546C/VB017	F 19064
BC1B 319552	F 19008
BC1B 320308 A	F 19063
BC1B 322172 A	F 19047
BC1B 322467	F 19046

SKF	Fersa
BC1B 635251	F 19029
BT1 0097 C	F 15117
BT1 328227 CA/Q	F 15040
BT1B 328406 A/30314/QVB01	F 15119
BT1B 329012	F 15116
BT1B 332986	F 15102
BT1B243150/QCL7C	F 15071
BT1B328092	F 15007
BT1B329013Q	F 15029/L 45410
BT1B332541AB/Q	F 15036/JL 68111 Z
BT1B332674A	F 15079
BT2B445539BA/VCO25	F 15041
BTH 1206	F 15067
BTHB 329129 ABC	F 15168
BTHB 329129 DE	F 15170
NJ 308 VH.NR.C4	F 19006
NJ 309 VHNRC4	F 19002
NUP 309 NR.C4	F 19003
SKF 1861071	F 15089
SKF 330633 C	F 15082
SKF 331075	F 15083
SKF 331126 Q	F 15076
SKF 331958 Q	F 15075
VKBA 1301	KV 135
VKBA 1310	KA 034
VKBA 1315	KF 175
VKBA 1317	KF 104
VKBA 1318	KF 107
VKBA 1320	KF 106
VKBA 1324	KA 024
VKBA 1326	KF 136
VKBA 1327	KF 111
VKBA 1328	KF 112
VKBA 1331	KV 215
VKBA 1333	KA 021
VKBA 1337	KA 029
VKBA 1340	KF 259
VKBA 1344	KF 173
VKBA 1346	KF 352
VKBA 1347	KB 125
VKBA 1355	KF 096
VKBA 1356	KF 098
VKBA 1356	KF 306

SKF - Fersa

SKF	Fersa
VKBA 1356	KF 307
VKBA 1358	KF 182
VKBA 1358	KF 216
VKBA 1362	KF 129
VKBA 1363	KB 217
VKBA 1366	KA 022
VKBA 1367	KA 187
VKBA 1369	KA 023
VKBA 1371	KC 188
VKBA 1374	KF 099
VKBA 1375	KV 260
VKBA 1377	KF 320
VKBA 1379	KV 100
VKBA 1385	KA 169
VKBA 1387	KA 171
VKBA 1393	KA 170
VKBA 1396	KA 087
VKBA 1403	KF 261
VKBA 1406	KV 156
VKBA 1410	KF 203
VKBA 1413	KB 048
VKBA 1413	KF 151
VKBA 1430	KA 054
VKBA 1431	KA 020
VKBA 1432	KF 115
VKBA 1432	KF 327
VKBA 1436	KV 177
VKBA 1437	KV 178
VKBA 1438	KF 165
VKBA 1439	KF 166
VKBA 1440	KV 164
VKBA 1441	KV 218
VKBA 1444	KA 079
VKBA 1446	KA 058
VKBA 1447	KF 094
VKBA 1458	KV 108
VKBA 1459	KF 109
VKBA 1460	KF 110
VKBA 1462	KA 200
VKBA 1465	KA 085
VKBA 1467	KB 263
VKBA 1470	KA 126
VKBA 1475	KV 219

SKF	Fersa
VKBA 1480	KF 116
VKBA 1481	KV 220
VKBA 1482	KV 221
VKBA 1484	KV 222
VKBA 1487	KA 003
VKBA 1488	KF 264
VKBA 1491	KF 183
VKBA 1494	KV 157
VKBA 1495	KF 176
VKBA 1498	KA 189
VKBA 1915	KA 190
VKBA 1930	KC 223
VKBA 1931	KC 224
VKBA 1933	KF 301
VKBA 1948	KF 225
VKBA 1949	KV 226
VKBA 1950	KF 227
VKBA 1953	KA 131
VKBA 1956	KA 186
VKBA 1965	KA 067
VKBA 1970	KF 121
VKBA 1971	KC 265
VKBA 1973	KF 317
VKBA 1978	KA 061
VKBA 1999	KF 128
VKBA 310	KV 204
VKBA 3201	KF 130
VKBA 3206	KA 266
VKBA 3216	KF 310
VKBA 3218	KV 228
VKBA 3219	KB 062
VKBA 3225	KV 267
VKBA 3237	KF 316
VKBA 3245	KF 304
VKBA 3246	KF 102
VKBA 3250	KV 229
VKBA 3255	KA 007
VKBA 3266	KV 230
VKBA 3267	KV 231
VKBA 3298	KV 232
VKBA 3305	KV 120
VKBA 3309	KF 119
VKBA 3311	KB 318

SKF	Fersa
VKBA 3319	KA 035
VKBA 3321	KA 268
VKBA 3326	KV 122
VKBA 3327	KV 123
VKBA 3403	KF 137
VKBA 3404	KA 033
VKBA 3405	KA 032
VKBA 3406	KF 233
VKBA 3407	KA 269
VKBA 3408	KF 158
VKBA 3409	KV 202
VKBA 3410	KF 138
VKBA 3413	KF 270
VKBA 3414	KF 168
VKBA 3415	KV 271
VKBA 3416	KF 167
VKBA 3418	KV 234
VKBA 3420	KA 052
VKBA 3421	KA 053
VKBA 3422	KV 235
VKBA 3423	KF 113
VKBA 3424	KV 236
VKBA 3427	KF 308
VKBA 3428	KA 272
VKBA 3429	KA 013
VKBA 3430	KA 080
VKBA 3434	KA 273
VKBA 3441	KF 159
VKBA 3442	KV 237
VKBA 3444	KV 238
VKBA 3445	KV 239
VKBA 3447	KF 274
VKBA 3449	KF 240
VKBA 3450	KF 241
VKBA 3455	KF 184
VKBA 3456	KV 097
VKBA 3456	KV 194
VKBA 3458	KV 242
VKBA 3461	KF 101
VKBA 3468	KV 243
VKBA 3469	KV 244
VKBA 3477	KV 114
VKBA 3480	KV 275

SKF	Fersa
VKBA 3486	KF 127
VKBA 3488	KV 245
VKBA 3489	KV 276
VKBA 3490	KF 313
VKBA 3491	KV 246
VKBA 3492	KF 277
VKBA 3495	KF 195
VKBA 3496	KB 192
VKBA 3496	KB 262
VKBA 3499	KF 303
VKBA 3500	KB 278
VKBA 3504	KF 312
VKBA 3510	KV 196
VKBA 3511	KV 198
VKBA 3512	KV 247
VKBA 3513	KV 199
VKBA 3514	KV 279
VKBA 3519	KA 248
VKBA 3521	KB 345
VKBA 3522	KF 280
VKBA 3525	KB 193
VKBA 3526	KV 249
VKBA 3528	KF 281
VKBA 3530	KF 201
VKBA 3531	KF 282
VKBA 3532	KB 191
VKBA 3536	KV 250
VKBA 3538	KF 346
VKBA 3540	KV 251
VKBA 3546	KV 305
VKBA 3548	KV 284
VKBA 3550	KV 285
VKBA 3552	F 15121
VKBA 3553	F 300006
VKBA 3554	KF 145
VKBA 3555	KV 252
VKBA 3556	KB 078
VKBA 3567	KV 286
VKBA 3569	KV 287
VKBA 3571	KF 342
VKBA 3572	KF 341
VKBA 3575	KF 329
VKBA 3576	KV 328

SKF - Fersa

SKF	Fersa
VKBA 3577	KF 288
VKBA 3581	KF 283
VKBA 3584	KF 289
VKBA 3585	KV 290
VKBA 3588	KV 291
VKBA 3589	KV 325
VKBA 3590	KV 326
VKBA 3596	KF 155
VKBA 3600	KF 292
VKBA 3601	KB 338
VKBA 3602	KV 337
VKBA 3613	KB 293
VKBA 3614	KB 344
VKBA 3616	KF 315
VKBA 3617	KB 339
VKBA 3618	KF 340
VKBA 3620	KV 343
VKBA 3624	KV 336
VKBA 3628	KF 300
VKBA 3635	KV 294
VKBA 3637	KF 351
VKBA 3639	KB 350
VKBA 3640	KB 295
VKBA 3641	KB 296
VKBA 3647	KF 302
VKBA 3648	KF 334
VKBA 3650	KV 333
VKBA 3651	KV 332
VKBA 3652	KV 330
VKBA 3653	KV 331
VKBA 3654	KV 323
VKBA 3655	KV 324
VKBA 3657	KF 354
VKBA 3660	KV 322
VKBA 3667	KV 297
VKBA 3668	KF 348
VKBA 3703	KF 321
VKBA 3729	KF 298
VKBA 3730	KF 197
VKBA 3907	KF 299
VKBA 3930	KV 353
VKBA 3945	KF 309
VKBA 501	KA 059

SKF	Fersa
VKBA 502	KA 068
VKBA 504	KA 014
VKBA 505	KA 017
VKBA 506	KA 040
VKBA 513	KA 002
VKBA 517	KA 025
VKBA 523	KA 083
VKBA 525	KA 064
VKBA 526	KA 039
VKBA 527	KA 066
VKBA 528	KA 016
VKBA 528	KA 075
VKBA 529	KA 006
VKBA 529	KA 069
VKBA 5314	F 15097
VKBA 532	KA 001
VKBA 534	KA 065
VKBA 5377	F 300005
VKBA 5397	F 15122
VKBA 540	KA 041
VKBA 5408	F 200004
VKBA 5412	F 15100
VKBA 542	KA 005
VKBA 543	KA 074
VKBA 546	KA 089
VKBA 547	KA 088
VKBA 548	KA 043
VKBA 551	KA 063
VKBA 559	KF 161
VKBA 562	KA 210
VKBA 564	KA 042
VKBA 571	KA 211
VKBA 575	KF 095
VKBA 575	KF 185
VKBA 577	KF 180
VKBA 593	KF 179
VKBA 596	KA 027
VKBA 607	KC 253
VKBA 614	KA 026
VKBA 618	KF 139
VKBA 622	KF 140
VKBA 625	KV 162
VKBA 629	KC 146

SKF	Fersa
VKBA 636	KC 148
VKBA 638	KF 150
VKBA 639	KC 147
VKBA 6507	KV 335
VKBA 652	KA 044
VKBA 663	KF 133
VKBA 6643	KF 319
VKBA 673	KC 132
VKBA 675	KC 174
VKBA 684	KA 036
VKBA 685	KF 160
VKBA 686	KA 015
VKBA 687	KA 019
VKBA 708	KA 349
VKBA 713	KA 086
VKBA 718	KA 004
VKBA 723	KC 149
VKBA 728	KA 073
VKBA 729	KF 141
VKBA 733	KA 212
VKBA 734	KV 163
VKBA 736	KF 134
VKBA 738	KF 172
VKBA 740	KA 018
VKBA 741	KA 081
VKBA 743	KV 144
VKBA 749	KA 254
VKBA 752	KA 077
VKBA 756	KA 030
VKBA 757	KF 124
VKBA 801	KA 072
VKBA 802	KA 071
VKBA 813	KB 011
VKBA 814	KB 012
VKBA 826	KA 070
VKBA 829	KA 255
VKBA 830	KA 091
VKBA 837	KA 051
VKBA 838	KA 050
VKBA 844	KA 009
VKBA 845	KA 010
VKBA 869	KB 045
VKBA 882	KF 142

SKF	Fersa
VKBA 890	KV 103
VKBA 897	KA 076
VKBA 898	KA 082
VKBA 906	KF 181
VKBA 908	KF 314
VKBA 909	KF 153
VKBA 910	KC 256
VKBA 915	KF 143
VKBA 918	KA 347
VKBA 919	KA 257
VKBA 922	KD 117
VKBA 925	KA 056
VKBA 926	KA 055
VKBA 927	KA 213
VKBA 929	KA 057
VKBA 938	KV 105
VKBA 941	KA 028
VKBA 944	KA 038
VKBA 949	KA 214
VKBA 958	KD 118
VKBA 959	KA 084
VKBA 961	KB 008
VKBA 963	KF 093
VKBA 964	KF 092
VKBA 966	KV 152
VKBA 967	KV 154
VKBA 968	KV 258
VKBA 969	KB 090
VKBA 973	KC 205
VKBA 975	KB 046
VKBA 976	KB 047
VKBA 977	KA 049
VKHB 2001	32308 F
VKHB 2002	32311 F
VKHB 2003	32312 F
VKHB 2004	32309 F
VKHB 2007	32306 F
VKHB 2013	6386/6320
VKHB 2014	537/532
VKHB 2015	32209 F
VKHB 2016	32206 F
VKHB 2017	32210 F
VKHB 2018	32207 F

SKF - Fersa

SKF	Fersa
VKHB 2019	32211 F
VKHB 2020	32208 F
VKHB 2021	JM 207049
VKHB 2023	JM 205149/110
VKHB 2026	32216 F
VKHB 2028	33215 F
VKHB 2029	HM 218248/210
VKHB 2030	32218 F
VKHB 2031	32219 F
VKHB 2032	HM 220149 A/110
VKHB 2033	32215 F
VKHB 2034	395 S
VKHB 2036	39580/39520
VKHB 2040	594/592 A
VKHB 2041	580/572
VKHB 2042	683/672
VKHB 2043	663/653 F
VKHB 2044	33014 F
VKHB 2045	33012 F
VKHB 2046	33015 F
VKHB 2047	33013 F
VKHB 2048	33018 F
VKHB 2050	HM 215249/HM 215210
VKHB 2051	33213 F
VKHB 2054	2789/2720
VKHB 2055	1380/1328
VKHB 2056	33109 F
VKHB 2057	33205 F
VKHB 2058	32304 F
VKHB 2059	33111 F
VKHB 2060	32011 XF
VKHB 2061	33211 F
VKHB 2063	32307 F
VKHB 2065	33208 F
VKHB 2066	33214 F
VKHB 2067	33209 F
VKHB 2068	33210 F
VKHB 2070	32310 F
VKHB 2072	32314 F
VKHB 2075	33895/33822
VKHB 2076	47490
VKHB 2080	32217 F
VKHB 2082	33019 F

SKF	Fersa
VKHB 2083	598 A/592
VKHB 2088	39581/39520
VKHB 2089	3585/3525
VKHB 2124	33020 F
VKHB 2132	331933 F
VKHB 2137	JM 714249/210
VKHB 2140	33016 F
VKHB 2141	681 A/672
VKHB 2142	47687/47620
VKHB 2143	687/672
VKHB 2145	33020 F
VKHB 2146	33021 F
VKHB 2147	JF 10049/10
VKHB 2151	LM 48548/510
VKHB 2152	M 12649/610
VKHB 2153	LM 501349/310
VKHB 2154	32014 XF
VKHB 2155	331293 F
VKHB 2156	33011 F
VKHB 2157	32016 XF
VKHB 2158	33117 F
VKHB 2159	33113 F
VKHB 2160	32021 XF
VKHB 2161	32019 XF
VKHB 2162	33021 F
VKHB 2163	33022 F
VKHB 2164	30220 F
VKHB 2165	33220 F
VKHB 2167	30210 F
VKHB 2168	30215 F
VKHB 2169	32017 XF
VKHB 2170	32018 XF
VKHB 2171	32314 BF
VKHB 2173	33212 F
VKHB 2175	39590/39520
VKHB 2179	33206 F
VKHB 2182	33207 F
VKHB 2184	JF 4549/10
VKHB 2185	52375
VKHB 2186	JHM 720249/JHM 720210
VKHB 2188	32008 XF
VKHB 2189	30205 F
VKHB 2190	33108 F

SKF	Fersa
VKHB 2191	32010 XF
VKHB 2192	JF 9549/10
VKHB 2195	6379/6320
VKHB 2198	30311 F
VKHB 2199	32013 XF
VKHB 2200	47487/47420 A
VKHB 2201	30309 F
VKHB 2202	30307 F
VKHB 2203	JH 415647/610 F
VKHB 2204	30216 F
VKHB 2205	JM 515649/610
VKHB 2208	563/567
VKHB 2212	32221 F
VKHB 2214	33113 F
VKHB 2215	30221 F
VKHB 2216	32024 XF
VKHB 2221	47678/47620
VKHB 2222	33115 F
VKHB 2225	33217 F
VKHB 2226	JM 718149 A/110
VKHB 2227	HM 518445/410
VKHB 2228	JF 6049/10
VKHB 2232	33216 F
VKHB 2233	33112 F
VKHB 2234	32012 XF
VKHB 2236	32309 BF
VKHB 2237	L 68149/110
VKHB 2239	18690/18620
VKHB 2241	45291
VKHB 2242	3490
VKHB 2243	JM 511946/910
VKHB 2246	18790/18720
VKHB 2247	32924
VKHB 2248	30218 F
VKHB 2255	JF 5049/10
VKHB 2258	368 A/362 A
VKHB 2262	30305 F
VKHB 2267	32006 XF
VKHB 2270	LM 11949/910
VKHB 2271	LM 12749/710
VKHB 2272	LM 300849/811
VKHB 2275	32010 XF
VKHB 2276	387 A/382

SKF	Fersa
VKHB 2277	387 A/382 A
VKHB 2281	32022 XF
VKHB 2282	32015 XF
VKHB 2283	30312 F
VKHB 2284	32214 F
VKHB 2285	HM 220149/110 F
VKHB 2287	JH 211749/JH211710
VKHB 2288	32213 F
VKHB 2294	32305 F
VKHB 2296	30209 F
VKHB 2297	32220 F
VKHB 2304	30313 F
VKHB 2306	32020 XF
VKHB 2309	25590/520
VKHB 2310	3780/3720
VKHB 2311	33287/33462
VKHB 2321	33017 F
VKHB 2326	33116 F
VKHB 2331	33118 F
VKHB 2332	H 212749/H 212710
VKHB 2333	495/493
VKHB 2334	30217 F
VKHB 2338	JLM 714149/JLM 714110
VKHB 2347	32212 F

FAG - Fersa

FAG	Fersa
201037	F 15097
201050	F 15120
201051	F 15121
201059	F 15122
4209 BTVH	F 18009
508204 E.TVP	F 19044
509333 A	F 15082
510148 B	F 19043
512099 TVP2	F 19011
512533	F 19019
521471 A	F 15046
521618	F 15083
527640 C	F 18025
528935	F 15089
528983	F 15051 R
534565	F 15051 C
536906C	F 18024
540106	F 19009
540484	F 15036/JL 68111 Z
540733	F 16035
540849	F 10053
541153 A	F 16024
541521 C	F 16032
542186 A	F 16036
543359 B	F 16051
543562	F 15048
543805	F 15157
543909	F 18011
544307	F 16023
545312	F 16001
545495	F 16046
546238	F 16021
547059	F 16195
547103 E	F 16084
548083	F 16026
561447	F 16018
561481	F 16048
562398 A	F 16031
562830 A	F 15158
564725 AB	F 16087
564734.H195	F 300001
565636	F 16042
566195	F 18021

FAG	Fersa
566425.H195	F 200002 A
566426.H195	F 200001 A
566427.H195	F 200003
566616 B	F 19008
566719	F 16039
567447 B	F 16038
567918	F 16002
574566 BEH93CAM28HM46	F 16166
574566 CE	F 16159
574795A	F 16034
575725.F51	F 15159
576503	F 15150
579557	F 16037
579943 B	F 16088
580191 D	F 16132
580400	F 16020
580779 A	F 15115
580989	F 19076
801106 DA	F 16152
801136	F 16040
801344 AA	F 16168
801974AE.H195	F 300005
803631 BC	F 16171
803750B	F 200004
803775	F 16083
804162A	F 200005
804339	F 19042
804358	F 15156
805003 A.H195	F 15100
805011C	F 15126
805092C	F 15127
805150 EC	F 16187
805262	F 19001
805449	F 19010
805450	F 19039
805532	F 300007
805546 A	F 16178
805588 B	F 16184
805921	F 16057
Z 539860.07	F 18029
713606020	KA 002
713606050	KA 004
713606140	KA 003

FAG	Fersa
713606160	KF 094
713606200	KA 001
713606260	KF 092
713606320	KF 093
713610020	KF 184
713610030	KF 098
713610040	KF 183
713610070	KF 308
713610080	KF 096
713610100	KF 182
713610130	KF 180
713610140	KF 179
713610160	KF 095
713610160	KF 185
713610180	KF 181
713610210	KV 284
713610220	KV 097
713610220	KV 194
713610230	KA 006
713610230	KA 069
713610240	KA 005
713610300	KF 233
713610350	KF 306
713610370	KA 248
713610380	KV 250
713610410	KF 307
713610450	KF 240
713610460	KF 241
713610470	KV 287
713610490	KV 286
713610500	KV 276
713610530	KV 285
713610730	KF 216
713611480	KA 071
713611550	KC 256
713611570	KA 072
713613040	KF 130
713613070	KA 131
713613090	KF 129
713613130	KA 036
713613160	KA 035
713613210	KB 217
713613220	KC 132

FAG	Fersa
713613230	KA 077
713613280	KA 034
713613410	KA 266
713613590	KA 268
713613630	KF 321
713613640	KV 267
713613690	KB 318
713613700	KF 128
713614010	KA 349
713614030	KF 159
713614210	KA 054
713615030	KF 227
713615090	KF 225
713615150	KA 214
713615510	KV 226
713615530	KV 232
713617030	KF 304
713617040	KF 102
713617070	KV 229
713617090	KF 099
713617160	KF 320
713617260	KV 100
713617270	KV 260
713617360	KF 101
713618040	KF 310
713618100	KA 065
713618110	KA 066
713618150	KF 259
713618180	KF 316
713618210	KC 174
713618270	KF 173
713618300	KA 070
713618370	KF 352
713618550	KF 298
713618560	KF 197
713618670	KV 353
713618740	KA 067
713618760	KF 309
713618790	KF 311
713619050	KV 230
713619060	KV 231
713619080	KV 120
713619090	KF 119

FAG - Fersa

FAG	Fersa
713619100	KA 086
713619130	KA 022
713619140	KA 190
713619150	KF 317
713619170	KF 121
713619210	KC 188
713619230	KA 187
713619240	KA 186
713619280	KV 228
713619300	KA 023
713619410	KV 122
713619420	KV 123
713619450	KV 336
713619510	KF 299
713620010	KA 052
713620020	KA 053
713620130	KA 254
713620140	KA 050
713623020	KA 061
713623030	KB 062
713623060	KF 301
713623090	KC 265
713623120	KC 224
713630050	KF 195
713630060	KF 313
713630090	KV 275
713630100	KC 146
713630120	KC 147
713630130	KC 148
713630150	KC 149
713630160	KF 150
713630170	KV 152
713630180	KB 048
713630180	KB 192
713630180	KB 262
713630200	KA 042
713630210	KA 043
713630220	KA 044
713630240	KB 046
713630250	KB 090
713630270	KB 047
713630300	KB 045
713630310	KV 157

FAG	Fersa
713630330	KA 255
713630340	KF 153
713630350	KV 156
713630370	KF 314
713630380	KV 258
713630440	KA 091
713630480	KA 049
713630530	KV 114
713630540	KV 305
713630550	KA 269
713630570	KV 236
713630580	KF 113
713630630	KV 243
713630640	KV 244
713630650	KV 246
713630710	KF 312
713630760	KF 289
713630780	KB 344
713630790	KB 278
713630800	KB 293
713630820	KV 290
713630830	KF 277
713630840	KF 351
713630950	KB 350
713640010	KV 294
713640180	KF 143
713640190	KF 111
713640250	KV 219
713640260	KV 144
713640280	KF 112
713640310	KF 354
713640390	KB 295
713640400	KA 272
713640400	KB 296
713640440	KA 089
713644020	KV 279
713644030	KV 247
713644040	KV 196
713644060	KV 199
713644070	KV 198
713644080	KF 292
713644090	KV 343
713644100	KF 342

FAG	Fersa
713644110	KF 341
713644120	KF 340
713644130	KF 315
713644140	KB 339
713644150	KF 137
713644160	KF 133
713644170	KF 134
713644190	KF 138
713644220	KB 338
713644230	KV 337
713644270	KV 335
713644290	KF 334
713644300	KF 319
713644310	KV 333
713644320	KV 332
713644330	KV 331
713644340	KV 330
713644480	KA 040
713644510	KA 007
713644510	KA 038
713644520	KA 039
713644540	KV 135
713644550	KV 235
713644560	KV 202
713644570	KV 252
713644650	KF 136
713649240	KF 104
713649250	KF 107
713649270	KF 106
713649280	KF 348
713649300	KF 110
713649320	KF 109
713649340	KV 239
713650060	KF 145
713650070	KB 008
713650070	KB 078
713650110	KF 139
713650140	KA 041
713650160	KF 142
713650210	KA 088
713650240	KF 140
713650250	KV 215
713650260	KF 141

FAG	Fersa
713650270	KA 073
713650310	KA 079
713650410	KA 058
713650420	KA 013
713650430	KA 080
713660040	KV 271
713660050	KF 176
713660080	KV 234
713660110	KA 068
713660120	KV 242
713660130	KF 302
713660190	KF 175
713660230	KA 211
713660260	KA 212
713660270	KV 178
713660280	KV 177
713660310	KV 249
713660370	KV 245
713667050	KF 127
713667060	KV 297
713667140	KV 105
713667180	KV 108
713667220	KV 238
713667230	KF 303
713667300	KA 033
713667320	KB 345
713667360	KA 189
713667370	KA 028
713667380	KA 087
713667430	KA 027
713667450	KA 030
713667520	KA 026
713667530	KF 124
713667550	KB 125
713667560	KA 126
713667570	KA 032
713667600	KA 273
713667730	KF 300
713667740	KF 280
713678020	KA 020
713678030	KB 191
713678040	KF 115
713678040	KF 327

FAG - Fersa

FAG	Fersa
713678050	KF 116
713678080	KA 018
713678080	KA 081
713678090	KA 019
713678100	KF 282
713678110	KF 201
713678140	KA 017
713678150	KA 016
713678150	KA 075
713678170	KA 074
713678190	KA 015
713678250	KA 014
713678280	KA 076
713678280	KA 082
713678290	KA 257
713678290	KA 347
713678320	KA 021
713678340	KV 220
713678350	KV 221
713678360	KV 222
713678380	KD 117
713678410	KF 329
713678420	KA 084
713678430	KV 328
713678500	KA 085
713678610	KB 263
713678650	KV 291
713678660	KV 326
713678670	KV 325
713678720	KV 324
713678730	KV 323
713678790	KV 322
713680110	KA 059
713680110	KA 063
713680160	KF 172
713690010	KV 163
713690070	KF 261
713690090	KA 024
713690110	KA 213
713690120	KA 055
713690130	KA 056
713690150	KA 057
713690160	KF 161

FAG	Fersa
713690170	KF 160
713690190	KC 205
713690200	KC 253
713690210	KA 210
713690230	KV 164
713690240	KV 162
713690260	KV 204
713690320	KB 011
713690330	KA 009
713690380	KA 169
713690420	KB 012
713690430	KA 010
713690470	KA 170
713690490	KA 200
713690500	KF 168
713690510	KF 166
713690540	KF 264
713690550	KV 237
713690600	KV 218
713690610	KF 167
713690670	KF 281
713690710	KV 251
713690750	KF 346
713690780	KF 270
713690860	KF 288
713696100	KF 203
713690850	F 300006

KOYO - Fersa

KOYO	Fersa
2DACF027G-1A	F 16186
2DACF028G-6R	F 16172
2DACF037 G	F 16176
2DACF045N-6SH2	F 16153
30 BG 05 S5G - 2DST2	F 16098
3DACF026F-1A	F 16192
40 BD 45 T12	F 16189
40 BD 49 AW	F 16190
57414/LM 300811	F 15003
6210NRZ	F 18032
6217-3BBNCS 9	F 18036
83 A 5518	F 16102
BD 30 - 11 A	F 16104
CT1310 ARSEDCS23	F 18031
DAC - 4060 M1	F 18008
DAC - 40740036 / 34	F 18007
DAC 286142 AW	F 16077
DAC 286142AWCS40	F 16134
DAC 3052- 32 RR9 DS 10Z	F 16097
DAC 306342AWCS32	F 16009
DAC 3555 RD 3H - 83 A 694	F 16100
DAC 3668AWCS36	F 16115
DAC 3871W-1CS74	F 16120
DAC 3872W-8CS81	F 16068
DAC 40440036	F 16080
DAC 40740042 B	F 16079
DAC 4074CWCS73	F 16092
DAC 43820045	F 16078
DAC 50900034	F 16076
DAC3564A1	F16200
DAC4276W	F16195
DAC4781W	F16199
DACF 1015	F 16164
DACF 1034AR-1	F 16143
DACF 1041 CCS5	F 16142
DACF 1050B	F 16006
DACF 1086	F 16014
DG357222DW	F 18045
ST 2455	F 15084
TR 0506 R	F 15001
TRA 0607 R	F 15002

SNR - Fersa

SNR	Fersa
10N 6206 F111E	F 18001
4209 A	F 18009
6206 F320 C	F 18002
6207 E22 GY4	F 18006
6207 F075	F 18005
6210NRZB	F 18032
AB 10337 / 3	F 18004
AB12516	F 18022
AB12888-S05	F 18018
AB41386	F 18019
AC 10059	F 15063
BGB 40536 R02	F 16160
EC 10059	F 15089
FC 12025-S09	F 15041
FC 12033S01	F 15044
FC 12180S04	F 15042
FC 12271-S03	F 15043
FC 40096 S05	F 15174
FC 40772 S02	F 15173
FC 40858 S02	F 15175
FC 40918	F 15169
FC12784S03	F 15050
GB 10790 S05	F 16001
GB 10800	F 16043
GB 10840 S04	F 16002
GB 10857S02	F 16050
GB 10884	F 16019
GB 12010	F 16045
GB 12094 S10	F 16026
GB 12131 S03	F 16031
GB 12136	F 16023
GB 12163 S04	F 16048
GB 12306S02	F 16093
GB 12320S02	F 16039
GB 12399S01	F 16038
GB 12955S04	F 16107
GB 35098	F 16129
GB 35238	F 16130
GB 35275	F 16124
GB 35457	F 16088
GB 40037	F 16191
GB 40246	F 16056
GB 40250 S01	F 16066

SNR - Fersa

SNR	Fersa
10N 6206 F111E	F 18001
4209 A	F 18009
6206 F320 C	F 18002
6207 E22 GY4	F 18006
6207 F075	F 18005
6210NRZB	F 18032
AB 10337 / 3	F 18004
AB12516	F 18022
AB12888-S05	F 18018
AB41386	F 18019
AC 10059	F 15063
BGB 40536 R02	F 16160
EC 10059	F 15089
FC 12025-S09	F 15041
FC 12033S01	F 15044
FC 12180S04	F 15042
FC 12271-S03	F 15043
FC 40096 S05	F 15174
FC 40772 S02	F 15173
FC 40858 S02	F 15175
FC 40918	F 15169
FC12784S03	F 15050
GB 10790 S05	F 16001
GB 10800	F 16043
GB 10840 S04	F 16002
GB 10857S02	F 16050
GB 10884	F 16019
GB 12010	F 16045
GB 12094 S10	F 16026
GB 12131 S03	F 16031
GB 12136	F 16023
GB 12163 S04	F 16048
GB 12306S02	F 16093
GB 12320S02	F 16039
GB 12399S01	F 16038
GB 12955S04	F 16107
GB 35098	F 16129
GB 35238	F 16130
GB 35275	F 16124
GB 35457	F 16088
GB 40037	F 16191
GB 40246	F 16056
GB 40250 S01	F 16066

SNR	Fersa
GB 40279 S01	F 16114
GB 40279S01	F 16109
GB 40300	F 16121
GB 40547	F 16029
GB 40549 / GB 10702 S03	F 16051
GB 40575 S02	F 16123
GB 40666 S01	F 16122
GB 40706	F 16030
GB 41599 / GB 12776	F 16036
R 140.01	KB 344
R 140.02	KB 011
R 140.03	KB 012
R 140.06	KB 293
R 140.17	KB 295
R 140.23	KA 255
R 140.25	KA 091
R 140.26	KA 070
R 140.34	KA 023
R 140.38	KB 296
R 140.42	KA 009
R 140.43	KA 010
R 140.52	KD 117
R 140.56	KA 049
R 140.58	KA 169
R 140.60	KA 171
R 140.65	KA 170
R 140.70	KD 118
R 140.72	KA 033
R 140.73	KA 032
R 140.76	KA 273
R 140.77	KA 079
R 140.79	KA 058
R 140.80	KA 084
R 140.81	KA 269
R 140.83	KA 200
R 140.85	KB 263
R 140.87	KA 085
R 140.91	KA 266
R 140.94	KA 272
R 140.95	KA 013
R 140.96	KA 080
R 140.97	KF 233
R 150.12	KF 107

SNR	Fersa
R 150.15	KV 103
R 150.16	KF 104
R 150.17	KV 105
R 150.19	KF 106
R 150.22	KV 108
R 150.22	KV 297
R 150.23	KF 109
R 150.24	KF 110
R 150.25	KF 274
R 150.29	KV 239
R 150.30	KV 238
R 150.31	KF 303
R 151.02	KA 025
R 151.03	KA 026
R 151.05	KA 027
R 151.07	KF 124
R 151.08	KA 030
R 151.10	KA 126
R 151.11	KA 087
R 151.12	KA 029
R 151.14	KA 028
R 151.15	KB 125
R 151.18	KA 189
R 151.26	KF 280
R 151.27	KF 127
R 151.32	KB 345
R 152.02	KA 083
R 152.08	KA 017
R 152.12	KA 014
R 152.16	KA 015
R 152.17	KA 016
R 152.19	KA 019
R 152.20	KA 074
R 152.21	KA 018
R 152.23	KF 329
R 152.24	KV 328
R 152.28	KA 076
R 152.29	KA 081
R 152.32	KA 347
R 152.33	KA 257
R 152.34	KA 082
R 152.36	KA 020
R 152.37	KA 021

SNR	Fersa
R 152.39	KF 115
R 152.42	KF 116
R 152.43	KV 220
R 152.44	KV 221
R 152.45	KV 222
R 152.54	KF 201
R 152.55	KF 282
R 152.56	KB 191
R 152.58	KV 325
R 152.59	KV 326
R 152.60	KV 291
R 152.62	KV 322
R 152.66	KV 324
R 152.67	KV 323
R 153.03	KA 040
R 153.07	KA 007
R 153.07	KA 038
R 153.14	KF 133
R 153.15	KF 134
R 153.16	KA 039
R 153.18	KV 135
R 153.20	KF 136
R 153.22	KV 235
R 153.23	KV 202
R 153.25	KF 137
R 153.26	KF 138
R 153.27	KV 252
R 153.30	KV 247
R 153.31	KV 196
R 153.32	KV 198
R 153.33	KV 199
R 153.34	KV 279
R 153.35	KF 342
R 153.36	KF 341
R 153.37	KB 338
R 153.38	KV 337
R 153.39	KF 292
R 153.40	KV 343
R 153.41	KV 336
R 153.43	KV 335
R 153.47	KV 333
R 153.48	KV 332
R 153.49	KV 331

SNR - Fersa

SNR	Fersa
R 153.50	KV 330
R 154.01	KF 184
R 154.08	KC 256
R 154.12	KF 180
R 154.13	KA 006
R 154.14	KF 179
R 154.15	KF 095
R 154.17	KA 071
R 154.18	KA 072
R 154.23	KF 181
R 154.28	KF 182
R 154.34	KF 183
R 154.41	KF 240
R 154.42	KF 241
R 154.43	KF 098
R 154.44	KV 276
R 154.45	KV 284
R 154.49	KF 159
R 154.50	KA 248
R 154.52	KV 285
R 155.00	KC 146
R 155.01	KC 147
R 155.03	KA 043
R 155.05	KA 042
R 155.06	KA 044
R 155.08	KC 149
R 155.09	KF 153
R 155.09	KF 314
R 155.10	KC 148
R 155.11	KV 152
R 155.13	KB 045
R 155.15	KV 154
R 155.16	KF 155
R 155.16	KF 158
R 155.17	KB 046
R 155.18	KV 258
R 155.19	KB 090
R 155.21	KF 150
R 155.24	KV 156
R 155.26	KV 157
R 155.27	KB 047
R 155.32	KB 048
R 155.44	KF 195

SNR	Fersa
R 155.46	KV 244
R 155.47	KV 243
R 155.52	KF 312
R 155.56	KV 246
R 155.61	KF 277
R 155.63	KB 193
R 155.64	KB 278
R 155.69	KF 340
R 155.70	KB 339
R 155.71	KF 315
R 155.74	KF 334
R 155.75	KF 351
R 155.77	KB 350
R 156.04	KF 172
R 157.05	KA 005
R 157.08	KF 096
R 157.16	KF 308
R 157.20	KV 097
R 157.26	KV 250
R 157.31	KV 286
R 157.32	KV 287
R 158.00	KA 055
R 158.01	KA 056
R 158.02	KA 213
R 158.04	KA 210
R 158.07	KF 161
R 158.08	KA 057
R 158.10	KV 162
R 158.11	KC 253
R 158.12	KF 160
R 158.13	KV 163
R 158.14	KV 204
R 158.18	KF 261
R 158.21	KV 218
R 158.22	KV 164
R 158.31	KF 165
R 158.32	KF 166
R 158.34	KF 270
R 158.35	KF 168
R 158.37	KF 167
R 158.39	KV 237
R 158.41	KF 281
R 158.42	KF 288

SNR	Fersa
R 158.43	KF 283
R 158.44	KF 346
R 158.46	KV 251
R 159.03	KF 140
R 159.04	KA 088
R 159.07	KF 139
R 159.08	KA 041
R 159.11	KA 089
R 159.12	KA 073
R 159.13	KF 141
R 159.14	KF 142
R 159.15	KV 144
R 159.17	KF 145
R 159.19	KB 008
R 159.22	KV 215
R 159.29	KV 219
R 159.31	KF 113
R 159.32	KV 236
R 159.38	KB 078
R 159.40	KV 305
R 159.42	KV 290
R 159.44	KF 289
R 159.46	KV 294
R 160.02	KA 001
R 160.04	KA 002
R 160.06	KA 003
R 160.13	KF 092
R 160.14	KF 093
R 160.15	KF 264
R 160.18	KF 094
R 160.19	KA 004
R 161.09	KA 254
R 161.23	KF 101
R 163.00	KA 068
R 165.03	KA 211
R 165.05	KA 212
R 165.10	KV 177
R 165.11	KF 175
R 165.15	KV 178
R 165.16	KF 176
R 165.17	KV 271
R 165.20	KV 234
R 165.22	KV 242

SNR	Fersa
R 165.23	KV 245
R 165.24	KF 302
R 165.26	KV 249
R 166.03	KF 354
R 166.13	KF 143
R 166.14	KF 111
R 166.15	KF 112
R 166.24	KV 114
R 166.26	KV 275
R 166.28	KF 313
R 168.04	KC 132
R 168.09	KA 036
R 168.10	KA 077
R 168.15	KA 034
R 168.18	KF 129
R 168.19	KB 217
R 168.24	KV 267
R 168.26	KF 128
R 168.30	KF 130
R 168.40	KF 321
R 168.41	KA 131
R 168.50	KA 035
R 168.52	KA 268
R 169.01	KA 065
R 169.02	KA 066
R 169.02	KA 067
R 169.04	KC 174
R 169.10	KF 173
R 169.14	KF 352
R 169.24	KF 310
R 169.30	KV 353
R 169.36	KF 316
R 169.37	KF 197
R 169.38	KF 298
R 169.50	KF 259
R 169.60	KF 309
R 170.09	KA 214
R 170.22	KF 227
R 170.23	KV 226
R 170.24	KV 232
R 170.32	KF 225
R 172.00	KC 205
R 172.01	KA 024

SNR - Fersa

SNR	Fersa
R 173.00	KA 086
R 173.05	KC 188
R 173.06	KA 190
R 173.07	KA 186
R 173.09	KA 187
R 173.10	KF 317
R 173.15	KA 022
R 173.16	KV 228
R 173.17	KV 122
R 173.18	KV 123
R 173.23	KV 120
R 174.12	KF 099
R 174.13	KF 320
R 174.16	KV 260
R 174.19	KV 100
R 174.25	KF 304
R 174.28	KV 229
R 174.34	KF 102
R 177.02	KA 061
R 177.06	KF 301
R 177.08	KC 224
R 177.09	KC 223
R 177.11	KC 265
R 177.12	KB 062
R 178.00	KA 349
R 178.03	KA 054
R 180.00	KA 050
R 180.01	KA 052
R 180.02	KA 053
R 182.60	KF 203
R 184.02	KV 230
R 184.03	KV 231
R 184.05	KF 299
TGB 10872 S02	F 16044
TGB 12095 S44	F 16005
TGB 12095 S44	F 16163
TGB 12095 S45	F 16007
TGB 12095 S46	F 16061
TGB 12095 S48	F 16156
TGB 12095 S49	F 16157
TGB 12096 S46	F 16155
TGB 35124	F 16165
TGB 35260	F 16147

SNR	Fersa
TGB 35276	F 16164
TGB 35277	F 16008
TGB 40175 S05	F 16016
TGB 40189 S05	F 16150
TGB 40490	F 16010
TGB 40540 S02	F 16167
TGB 40540S04	F 16177
TGB 40540S05	F 16138
XGB 12306 S02	F 16112
XGB 35447	F 16110
XGB 40492 S01 P	F 16108
XGB 40547S01P	F 16135
XGB 40574P	F 16113
XGB 40575 S02 P	F 16128
XGB 40706R00	F 16111
XGB 40714P	F 16131
XGB 41140 P	F 16133
XGB 41166	F 16127
XGB 41999	F 16052
XGB 41999	F 16053
XMGB 40899	F 16173
XTGB 40189 S06 P	F 16175
XTGB 40490 P	F 16161
XTGB 40540 S08 P	F 16174
Y44FB.10394 S02	F 16042
Y44GB 10667	F 16049
Y44GB 10679 S02	F 16025

TIMKEN - Fersa

TIMKEN	Fersa
JL22349/10	F 15028
JRM 3535 A/JRM 3565 XD	F 15044
JRM 3939/JRM 3968 XD	F 15045
JXC 25469 C	F 15167
JXC 25469CA/JXC 25469 DB	F 15068
JXC 25662 C	F 15110
NP 057427	F 15132
NP 457202	F 15131
NP 988748 / NP 247732	F 15133
XGA 33211	F 15047
K 80102	KA 001
K 80103	KA 002
K 80104	KA 003
K 80107	KA 077
K 80108	KF 092
K 80113	KA 004
K 80115	KF 093
K 80116	KF 094
K 80119	KF 264
K 80122	KV 219
K 80123	KF 346
K 80124	KF 283
K 80125	KV 236
K 80125	KV 251
K 80153	KB 012
K 80202	KA 005
K 80203	KA 006
K 80203	KA 069
K 80206	KF 307
K 80207	KF 096
K 80208	KF 308
K 80212	KF 184
K 80213	KV 097
K 80213	KV 194
K 80214	KF 098
K 80214	KF 306
K 80215	KA 248
K 80217	KV 250
K 80309	KF 320
K 80310	KF 099
K 80312	KV 100
K 80313	KV 260
K 80323	KF 101

TIMKEN	Fersa
K 80326	KV 229
K 80328	KF 304
K 80329	KF 102
K 80334	KA 254
K 80402	KF 134
K 80403	KA 007
K 80506	KV 103
K 80507	KF 104
K 80511	KF 106
K 80514	KF 107
K 80515	KV 105
K 80516	KV 108
K 80517	KF 109
K 80518	KF 110
K 80520	KV 238
K 80521	KV 239
K 80708	KA 073
K 80712	KB 008
K 80718	KF 111
K 80719	KF 112
K 80723	KV 215
K 80724	KF 113
K 80732	KV 275
K 80734	KF 313
K 80737	KB 078
K 80750	KA 009
K 80751	KA 010
K 80752	KB 011
K 80754	KA 079
K 80755	KA 272
K 80756	KA 013
K 80757	KA 080
K 81101	KA 074
K 81102	KA 014
K 81103	KA 015
K 81104	KA 016
K 81104	KA 075
K 81107	KA 017
K 81109	KA 018
K 81110	KA 076
K 81111	KA 019
K 81115	KA 257
K 81115	KA 347

TIMKEN - Fersa

TIMKEN	Fersa
K 81116	KA 020
K 81117	KA 021
K 81118	KA 081
K 81119	KA 082
K 81120	KF 115
K 81120	KF 327
K 81125	KF 116
K 81126	KV 220
K 81127	KV 221
K 81129	KV 222
K 81135	KF 240
K 81136	KF 241
K 81139	KF 201
K 81140	KF 282
K 81141	KB 191
K 81143	KF 329
K 81144	KV 328
K 81150	KA 083
K 81151	KA 085
K 81151	KD 117
K 81155	KA 084
K 81156	KD 118
K 81159	KB 263
K 81160	KV 291
K 81161	KV 325
K 81162	KV 326
K 81201	KA 022
K 81203	KV 231
K 81204	KV 230
K 81206	KA 086
K 81207	KA 190
K 81208	KA 186
K 81209	KA 023
K 81211	KA 187
K 81214	KV 120
K 81220	KV 122
K 81221	KV 123
K 81223	KC 188
K 81229	KF 299
K 81802	KC 205
K 81850	KA 024
K 81905	KF 227
K 81906	KF 225

TIMKEN	Fersa
K 81907	KV 226
K 81908	KV 232
K 82001	KA 025
K 82002	KA 026
K 82003	KA 027
K 82005	KF 124
K 82006	KA 028
K 82007	KB 125
K 82008	KA 029
K 82009	KA 030
K 82011	KA 189
K 82017	KF 280
K 82050	KF 087
K 82053	KA 126
K 82056	KA 031
K 82057	KA 032
K 82058	KA 033
K 82066	KA 273
K 82068	KF 127
K 82301	KF 128
K 82302	KV 267
K 82306	KA 034
K 82311	KF 129
K 82312	KB 217
K 82315	KF 130
K 82319	KF 321
K 82350	KA 035
K 82351	KA 131
K 82353	KC 132
K 82358	KA 037
K 82364	KA 268
K 82501	KF 133
K 82502	KA 038
K 82504	KA 039
K 82505	KA 040
K 82510	KV 135
K 82512	KF 136
K 82513	KV 235
K 82516	KF 137
K 82517	KV 202
K 82518	KF 138
K 82523	KV 196
K 82524	KV 198
K 82525	KV 247
K 82527	KV 279
K 82528	KV 252

TIMKEN - Fersa

TIMKEN	Fersa
K 82529	KF 342
K 82530	KF 341
K 82539	KF 292
K 82540	KB 338
K 82542	KV 199
K 82545	KF 340
K 82546	KB 339
K 82604	KF 139
K 82605	KA 088
K 82606	KA 089
K 82610	KA 041
K 82611	KF 140
K 82612	KF 141
K 82613	KF 142
K 82615	KF 143
K 82616	KV 144
K 82619	KF 145
K 82620	KV 305
K 82622	KF 289
K 82623	KV 290
K 82901	KC 146
K 82902	KA 042
K 82903	KC 147
K 82904	KA 043
K 82907	KC 148
K 82908	KC 149
K 82909	KA 044
K 82910	KF 150
K 82911	KB 048
K 82912	KB 045
K 82913	KV 152
K 82915	KB 046
K 82916	KV 154
K 82917	KF 155
K 82918	KB 047
K 82920	KV 156
K 82923	KB 090
K 82926	KV 157
K 82927	KF 158
K 82932	KV 258
K 82936	KV 244
K 82937	KV 243
K 82945	KF 312
K 82949	KV 246
K 82950	KA 255
K 82952	KF 314

TIMKEN	Fersa
K 82955	KA 091
K 82959	KB 278
K 82962	KF 195
K 82963	KB 192
K 82963	KB 262
K 82965	KB 193
K 83050	KA 050
K 83051	KA 051
K 83053	KA 052
K 83054	KA 053
K 83104	KA 054
K 83105	KF 159
K 83107	KV 286
K 83109	KV 287
K 83202	KA 210
K 83204	KA 055
K 83205	KA 056
K 83206	KA 057
K 83207	KC 253
K 83210	KF 160
K 83210	KF 203
K 83212	KF 161
K 83213	KV 162
K 83214	KV 163
K 83215	KV 204
K 83216	KF 261
K 83223	KV 164
K 83224	KV 218
K 83226	KF 165
K 83227	KF 166
K 83235	KF 270
K 83236	KF 168
K 83237	KF 167
K 83237	KV 237
K 83238	KF 281
K 83241	KF 288
K 83252	KA 169
K 83253	KA 170
K 83257	KA 058
K 83259	KA 200
K 83262	KA 171
K 83301	KA 059
K 83305	KA 060
K 83401	KC 223
K 83402	KC 224
K 83403	KF 301

TIMKEN - Fersa

TIMKEN	Fersa
K 83451	KC 265
K 83452	KB 062
K 83601	KF 172
K 83602	KA 063
K 83603	KA 064
K 83705	KF 173
K 83710	KA 065
K 83720	KF 352
K 83729	KF 298
K 83730	KF 197
K 83753	KA 066
K 83754	KA 067
K 83756	KC 174
K 84 006	KA 212
K 84001	KA 068
K 84008	KA 211
K 84009	KF 175
K 84010	KF 176
K 84011	KV 177
K 84012	KV 178
K 84018	KV 271
K 84021	KV 242
K 84023	KV 234
K 84024	KF 302
K 84025	KV 245
K 84028	KV 249
K 84101	KF 179
K 84101	KF 183
K 84103	KF 180
K 84105	KF 181
K 84106	KF 182
K 84106	KF 216
K 84108	KV 276
K 84110	KV 285
K 84150	KA 070
K 84151	KA 071
K 84153	KA 072
K 84157	KC 256
K 84160	KF 233
K 89914	KF 153

NSK - Fersa

NSK	Fersa
40 BD 45 T12 DDU	F 16189
27 BWK 04D3	F 16094
28 BWK 12	F 16095
28KW0165SA	F 15056/320/28
30 BD 40 A - T1Z DDF1	F 16098
30 BD 5222 FX	F 16097
35 BD 219T - 1Z DDU K8	F 16100
35 BD 5020 DUK	F 16099
35 BD 52 22 DF X7	F 16101
38BWD06D-A-CA-01	F 16058
38KW01C9	F 15055/LM 29710
38KWD04AG3CA1-01	F 15172
40 BD 49 AWT12 DDU	F 16190
40 BD 49V	F 16103
40 BWD 06	F 16081
40 BWD 12	F 16079
40 BWD 15 A	F 16080
40BWD05CA60	F 16041
40KWD02	F 15129
41KWD01G3	F 15015
42BWD06CA98	F 16085
42KWDD8A	F 15130
43 BWD 06	F 16078
43 BWD 12A-JB-5C01	F16196
43 KWD 07AU42CA	F 15160
43BWD08CA103	F 16052
43BWK03D-Y-2CA20	F 16144
49BWD01BCA116	F 16109
50KW01	F 15054/3720
B17 - 126 DDWC3	F 18020
BL 210 ZNR C3	F 18042
DF 0865	F 16102

INA - Fersa

INA	Fersa
87486	F 19075
315145	F 19019
F 211408.5	F 19062
45864.1	F 19020
F 113021	F 18040
F 211413.2	F 19061
F 237594	F 19069
F 43710.1	F 19066
F 45385	F 18039
F 45814	F 19015
F 88545	F 19037
F 88816.2	F 19038
F 90836.1A	F 19016
F210540	F 19013
FC 67147	F 19072
FC 67148.5	F 19073
